



MASTER LEDspot LV

MASTER LED 7-50W 927 MR16 60D Dim

Delivering an intense accent beam, the MASTER LEDspot LV is an ideal retrofit solution for spot-lighting. The MASTER LEDspot LV is designed to replace halogen or incandescent spots. It achieves natural colours, enables cosy and comfortable ambience for residential and hospitality usage, and emphasises the beauty of merchandise in retail. A new smaller housing provides perfect fitting with the majority of luminaires on the market with a MR16 GU 5.3 holder. It not only employs Philips's patented solution to guarantee the broadest possible compatibility with standard 12 V halogen electronic transformers, it also delivers high beam intensity which is equivalent to halogen MR16 spots. The dimming function enables users to create the desired atmosphere and it works with broad selection of dimmers. Its high SDCM ensures stricter colour consistency, that is maintained over product life. The MASTER LEDspot LV delivers huge energy savings and minimises maintenance costs without any compromise on light quality and lifetime, enabling residential and business owners to achieve a return on their investment within a short time period.

Product data

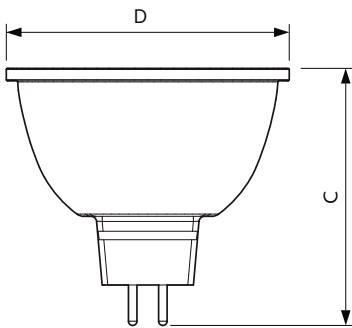
General Information		Colour Temperature, horizontal (Nom)	
Cap base	GU5.3 [GU5.3]		2700 K
EU RoHS compliant	Yes	Lamp Luminous Efficacy EM (Nom)	71.00 lm/W
Nominal lifetime (nom.)	40000 h	Colour consistency	<4
Switching cycle	50,000X	Colour Rendering Index,horiz (Nom)	90
Technical type	7-50W	LLMF at end of nominal lifetime (nom.)	70 %
Light Technical		Operating and Electrical	
Colour Code	927	Input frequency	- Hz
Technical Beam Angle (Nom)	60 °	Power (Rated) (Nom)	7 W
Lamp Luminous Flux 25°C EL (Nom)	500 lm	Lamp current (nom.)	830 mA
Luminous intensity (nom.)	500 cd	Wattage equivalent	50 W
Colour Designation	Warm white (WW)	Starting time (nom.)	0.5 s
		Warm-up time to 60% light (nom.)	0.5 s

MASTER LEDspot LV

Power factor (nom.)	0.7
Voltage (Nom)	12 V
Temperature	
T-Case maximum (nom.)	90 °C
Controls and Dimming	
Dimmable	Yes
Approval and Application	
Energy efficiency label (EEL)	A
Suitable for accent lighting	Yes
Energy consumption kWh/1,000 hours	8 kWh

Product Data	
Full product code	871869682560000
Order product name	MASTER LED 7-50W 927 MR16 60D Dim
EAN/UPC – product	8718696825600
Order code	929001880408
Numerator – quantity per pack	1
Numerator – packs per outer box	10
SAP material	929001880408
SAP net weight (piece)	0.052 kg

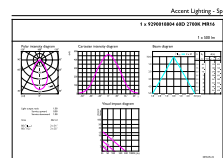
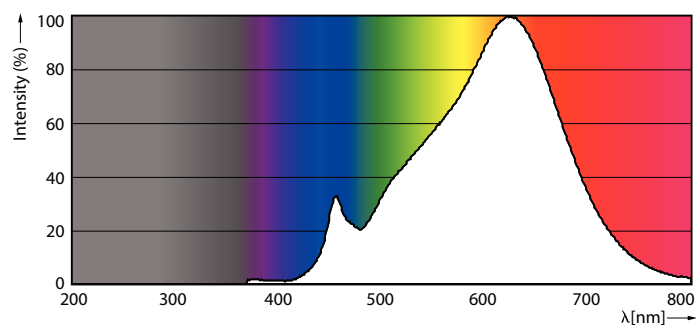
Dimensional drawing



MR16 12V 7-35W 400lm 60D 2700K GU5.3 D

Product	D	C
MASTER LED 7-50W 927 MR16 60D Dim	50.5 mm	46.5 mm

Photometric data

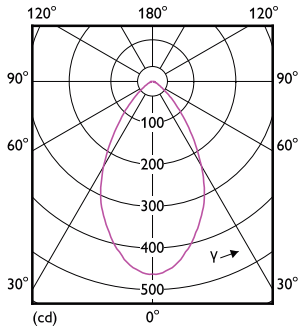


7-50W GU5-3 MR16

7-50W GU5-3 MR16 60D 927 2700K

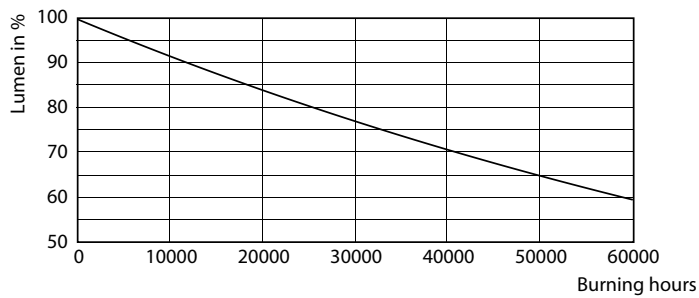
MASTER LEDspot LV

Photometric data

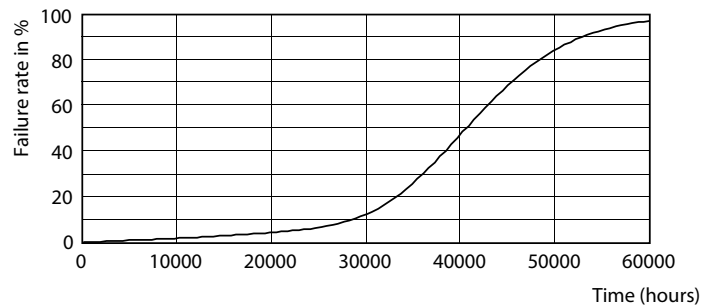


7-50W GU5-3 MR16 60D 927 2700K

Lifetime



7-50W GU5-3 MR16



7-50W GU5-3 MR16

