



MASTER LEDspot ExpertColor LV

MASTER LED MR16 ExpertColor 7.2-50W 927 60D

MASTER LEDspot LV ExpertColor creates a warm and comfortable ambience for hospitality venues, homes and restaurants. It creates such an ambience with superior lighting that has a customised spectrum, high CRI and deep dimming feature. The result? A beautiful lighting experience. What's more, the innovative, trimless lens design will suit almost any interior decor with its clean and neat look. In addition, you can take advantage of the full ExpertColor family, which also includes LEDspot MV and LEDspot Par lamps.

Product data

General Information		LLMF at end of nominal lifetime (nom.) 70 %	
Cap base	GU5.3 [GU5.3]		
EU RoHS compliant	Yes		
Nominal lifetime (nom.)	40000 h		
Switching cycle	50,000X		
Technical type	7.2-50W		
Light Technical		Operating and Electrical	
Colour Code	927	Input frequency	- Hz
Technical Beam Angle (Nom)	60 °	Power (Rated) (Nom)	7.2 W
Lamp Luminous Flux 25°C EL (Nom)	450 lm	Lamp current (nom.)	800 mA
Luminous intensity (nom.)	410 cd	Wattage equivalent	50 W
Colour Designation	Warm white (WW)	Starting time (nom.)	0.5 s
Colour Temperature, horizontal (Nom)	2700 K	Warm-up time to 60% light (nom.)	1 s
Lamp Luminous Efficacy EM (Nom)	62.50 lm/W	Power factor (nom.)	0.7
Colour consistency	<3	Voltage (Nom)	12 V
Colour Rendering Index, horiz (Nom)	97		
		Temperature	
		T-Case maximum (nom.)	92 °C
		Controls and Dimming	
		Dimmable	Yes

MASTER LEDspot ExpertColor LV

Approval and Application

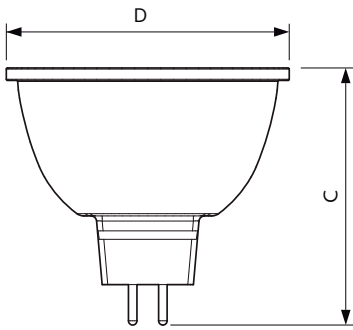
Energy efficiency label (EEL)	Not applicable
Suitable for accent lighting	Yes
Energy consumption kWh/1,000 hours - kWh	

Product Data

Full product code	871869671950300
Order product name	MASTER LED MR16 ExpertColor 7.2-50W 927 60D
	60D

EAN/UPC – product	8718696719503
Order code	929001341408
SAP numerator – quantity per pack	1
Numerator – packs per outer box	10
SAP material	929001341408
SAP net weight (piece)	0.034 kg

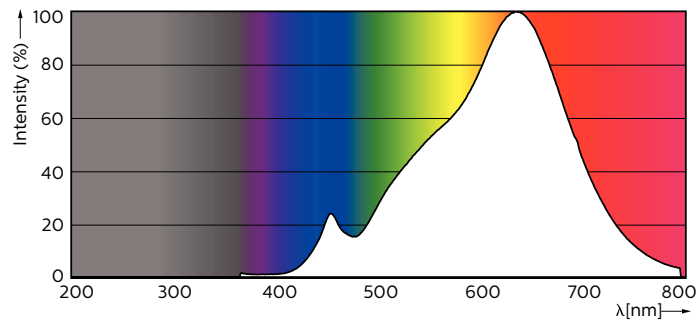
Dimensional drawing



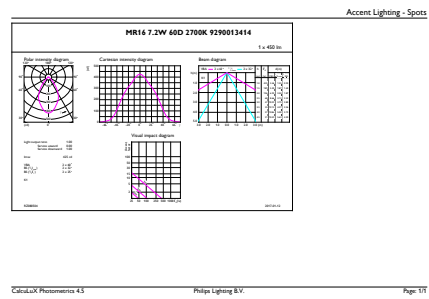
MAS LED MR16 ExpertColor 7.2-50W 927 60D

Product	D	C
MASTER LED MR16 ExpertColor 7.2-50W 927 60D	50.5 mm	46 mm

Photometric data



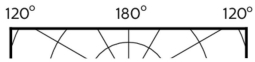
Master LEDspot ExpertColor LV 50W EZ10 927 10D



Master LEDspot ExpertColor LV 50W GU5.3 927 60D

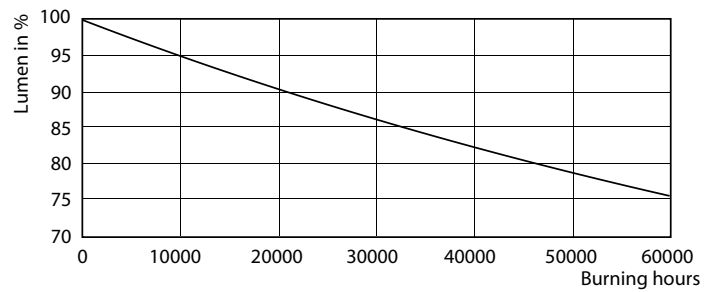
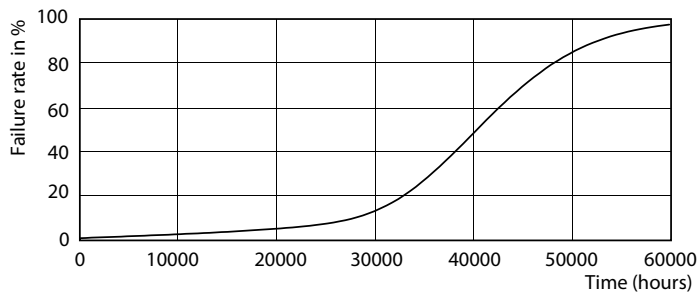
MASTER LEDspot ExpertColor LV

Photometric data



Master LEDspot ExpertColor LV 50W GU5.3 927 60D

Lifetime



Master LEDspot ExpertColor LV 50W EZ10 927 10D

Master LEDspot ExpertColor LV 50W EZ10 927 10D

