

# EB-Certalume for TL-D lamps

## EB-Ci 1-2 36W / 1-4 18W 220-240V 50/60Hz

EB-Certalume is the most cost-effective, slim and affordable ballast for reliable operation of a fluorescent lamp. It is also the ideal entry-level product for electromagnetic system users who want to enjoy the benefits offered by electronic ballasts. The cost-saving and reliable EB-Certalume has energy efficiency class A2, and its robust design meets all relevant international safety and performance standards. EB-Certalume is intended for use with indoor lighting fixtures such as recessed luminaires, which are widely used in office, industrial, hotel, restaurant and other applications.

### Product data

General Information	
Lamp type	TL-D
Number of lamps	1-4 piece/unit
Suitable for outdoor use	No
Number of products on MCB (16 A type B) (max.)	28
Automatic restart	Yes
Operating and Electrical	
Input voltage	220-240 V
Input frequency	50 or 60 Hz
Operating frequency (nom.)	42-60 kHz
Ignition method	Warm Start
Crest factor (max.)	1.7
Ignition time (nom.)	2.0 s
Mains voltage performance (AC)	-10% - +10%
Mains voltage safety (AC)	198...264V

Earth leakage current (max.)	0.5 mA
Inrush current width	0.35 ms
Ballast factor (nom.)	1
Power factor (max.)	0.98
Power factor (min.)	0.90
Input power (max.)	70.2 W
Input power (min.)	21.3 W
Power losses (max.)	6.2 W
Power losses (nom.)	3.3 W
Inrush current peak (max.)	19 A
Rated lamp power	18-36 W
Wiring	
Connector type input terminals	Insert
Cable capacity output wires mutual (max.)	150 pF
Connector type output terminals	Insert
Cable length hot-wiring	0.75 m

## EB-Certalume for TL-D lamps

Wire strip length	7.5-8.5 mm
Input terminal cross section	0.50-1.50 mm <sup>2</sup>
Output terminal cross section	0.50-1.50 mm <sup>2</sup>
Cable capacity output wires to earth (max.)	150 pF
Connector type	Insert

### System characteristics

Rated lamp power on TL-D	18-36 W
System power on TL-D	21.3-68.2 W
Lamp power on TL-D	18.0-31.0 W
Power loss on TL-D	3.3-6.2 W

### Temperature

T ambient (max.)	50 °C
T case lifetime (max.)	75 °C
T-Case maximum (max.)	75 °C
T-Ignition (max.)	50 °C
T-Ignition (min.)	-10 °C

### Mechanical and Housing

Housing material	Plastic
Housing	L210x30x26mm

### Emergency Operation

Battery voltage lamp ignition	165-253 V
-------------------------------	-----------

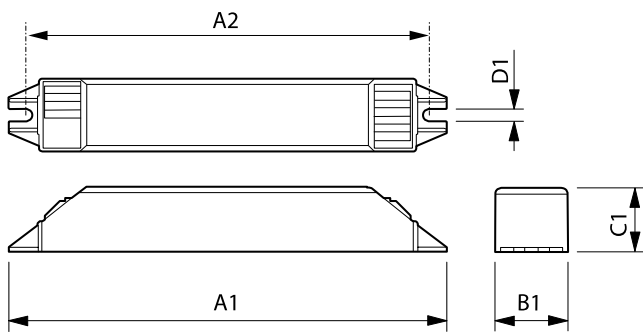
### Approval and Application

Energy efficiency index	A2
IP classification	IP 20 [ Ingress Protection 20]
EMI 9 kHz... 30 MHz	EN55015
EMI 30 MHz... 1,000 MHz	EN 55015
Environmental standard	ISO 14001
Vibration standard	IEC60068-2-6 F c
Bumps standard	Not specified
Approval marks	CB Certificate CCC certificate TISI marking PSB certification RCM compliance
Temperature marking	Yes
Humming and noise level	< 30 dB(A)

### Product Data

Full product code	694793913353600
Order product name	EB-Ci 1-2 36W / 1-4 18W 220-240V 50/60Hz
EAN/UPC – product	6947939133536
Order code	913713043180
Numerator – quantity per pack	1
Numerator – packs per outer box	30
Material no. (12NC)	913713043180
Net weight (piece)	0.080 kg

### Dimensional drawing



EB-Ci 1-2 36W / 1-4 18W 220-240v 50/60Hz

Product	A1	A2	B1	C1	D1
EB-Ci 1-2 36W / 1-4 18W 220-240V 50/60Hz	210 mm	200 mm	30 mm	26 mm	4.3 mm

## EB-Certalume for TL-D lamps

