



# Dynalite Signal Dimmer Controllers

## DDBC300-DALI

Signal Dimmer Controller with 3 full universes totalling 192 DALI addresses.

Signal Dimmer Controller with 3 full universes totalling 192 DALI addresses.

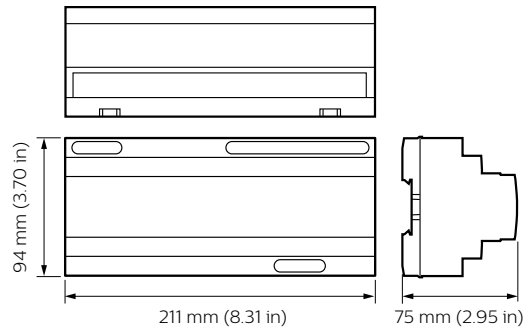
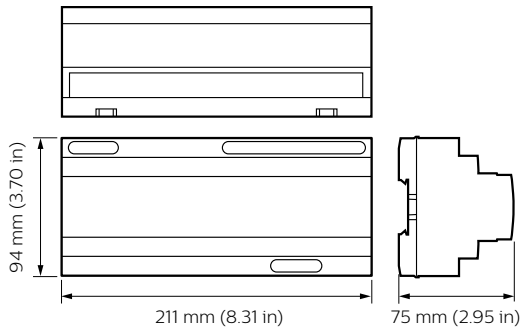
### Product data

| General Information       |   |
|---------------------------|---|
| CE mark                   | CE mark   |
| Remarks                   | Please download the Lighting - Product Data Sheet for more information and ordering options |
| EU RoHS compliant         | Yes   |
| Application Conditions    |   |
| Ambient temperature range | 0 to +40 °C   |
| Product Data              |   |
| Full product code         | 871016350641800   |

|                                     |               |
|-------------------------------------|---------------|
| Order product name                  | DDBC300-DALI  |
| EAN/UPC – product                   | 8710163506401 |
| Order code                          | 913703031109  |
| Numerator – quantity per pack       | 1             |
| SAP numerator – packs per outer box | 1             |
| Material no. (12 NC)                | 913703031109  |
| Net Weight (Piece)                  | 0.410 kg      |

# Dynalite Signal Dimmer Controllers

## Dimensional drawing



Dynalite Signal Dimmer Controllers

Dynalite Signal Dimmer Controllers

