



Essential SmartBright LED Downlight G2

DN027C LED20/NW D225

Essential SmartBright G2 LED Downlight is value for money product with high efficacy, good quality and reliability. It offers multiple configurations from 300lm to 2000lm output, to replace conventional downlight. It can be used for shopping mall, retail store, residential and office. It's an ideal product family to distribute in trade market.

Product data

Mechanical and Housing	
Overall height	40 mm
Overall diameter	225 mm
Dimensions (height x width x depth)	40 x NaN x NaN mm (1.6 x NaN x NaN in)

Approval and Application	
Ingress protection code	IP20 [Finger-protected]
Mech. impact protection code	IK02 [0.2 J standard]

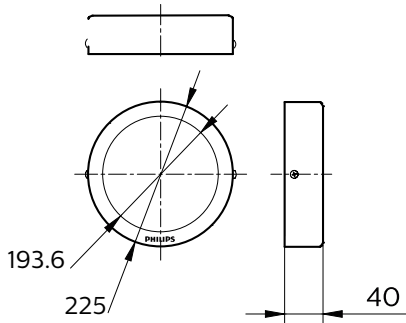
Initial Performance (IEC Compliant)	
Initial luminous flux	2000 lm
Lamp colour temperature	4000 K
Colour Rendering Index	80
Initial input power	23 W

Product Data	
Full product code	871016330932399
Order product name	DN027C LED20/NW D225
EAN/UPC – product	8710163309323
Order code	911401816697
SAP numerator – quantity per pack	1
Numerator – packs per outer box	24
SAP material	911401816697
SAP net weight (piece)	0.690 kg



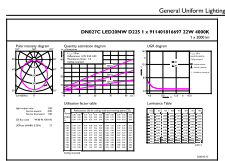
Essential SmartBright LED Downlight G2

Dimensional drawing

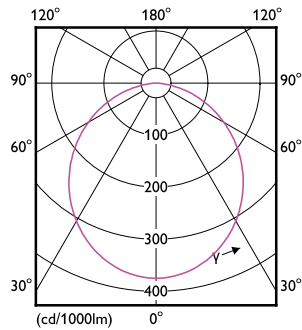


DN027B

Photometric data



© 2020 Philips Lighting B.V. Philips Lighting B.V. Philips Lighting B.V.



Downlight DN027C LED20 NW D225

Downlight DN027C LED20 NW D225

