



Essential SmartBright LED Downlight G2

DN027C LED12/CW D175

Essential SmartBright G2 LED Downlight is value for money product with high efficacy, good quality and reliability. It offers multiple configurations from 300lm to 2000lm output, to replace conventional downlight. It can be used for shopping mall, retail store, residential and office. It's an ideal product family to distribute in trade market.

Product data

| General Information | |
|-----------------------------|----------------------|
| Lamp colour code | 3000/4000/6500 |
| Light source replaceable | No |
| Luminaire light beam spread | 110° |
| Protection class IEC | Safety class II (II) |

| Operating and Electrical | |
|--------------------------|----------------|
| Input Voltage | 220 to 240 V V |
| Input frequency | 50 or 60 Hz |
| Power factor (min.) | 0.7 |

| Mechanical and Housing | |
|------------------------|---------------|
| Housing material | Plastic |
| Reflector material | Polycarbonate |
| Overall length | 175 mm |
| Overall width | 225 mm |
| Overall height | 40 mm |
| Overall diameter | 175 mm |
| Colour | white |

| | |
|-------------------------------------|--|
| Dimensions (height x width x depth) | 40 x 225 x 175 mm (1.6 x 8.9 x 6.9 in) |
|-------------------------------------|--|

| Approval and Application | |
|------------------------------|--------------------------|
| Ingress protection code | IP20 [Finger-protected] |
| Mech. impact protection code | IK02 [0.2 J standard] |

| Initial Performance (IEC Compliant) | |
|-------------------------------------|---------|
| Initial luminous flux (system flux) | 1200 lm |
| Lamp colour temperature | 6500 K |
| Colour Rendering Index | 80 |
| Initial input power | 15 W |

| Application Conditions | |
|---------------------------|---------------|
| Ambient temperature range | -20 to +40 °C |

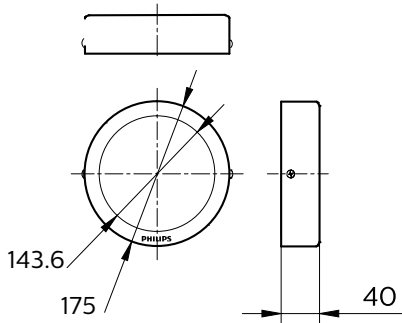
| Product Data | |
|--------------------|----------------------|
| Full product code | 871016330927999 |
| Order product name | DN027C LED12/CW D175 |
| EAN/UPC – product | 8710163309279 |
| Order code | 911401816197 |

Essential SmartBright LED Downlight G2

| | |
|-------------------------------------|--------------|
| Numerator – quantity per pack | 1 |
| SAP numerator – packs per outer box | 24 |
| Material no. (12 NC) | 911401816197 |
| Net Weight (Piece) | 0.460 kg |



Dimensional drawing



DN027B

Photometric data

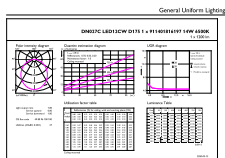
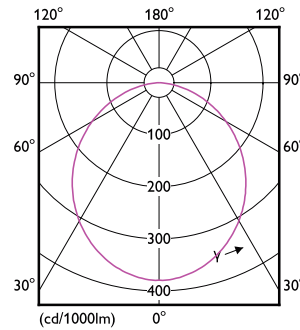


Table 1: Photometric data



Downlight DN027C LED12 CW D175

Downlight DN027C LED12 CW D175

