

MASTER LEDspot ExpertColor LV

MASTER LED MR16 ExpertColor 6.7-50W 930 60D

MASTER LEDspot LV ExpertColor creates a warm and comfortable ambience for hospitality venues, homes and restaurants. It creates such an ambience with superior lighting that has a customised spectrum, high CRI and deep dimming feature. The result? A beautiful lighting experience. What's more, the innovative, trimless lens design will suit almost any interior decor with its clean and neat look. In addition, you can take advantage of the full ExpertColor family, which also includes LEDspot MV and LEDspot Par lamps.

Product data

General information		LLMF at end of nominal lifetime (nom.) 70 %	
Cap base	GU5.3 [GU5.3]		
EU RoHS compliant	Yes		
Nominal lifetime (nom.)	40000 h		
Light technical		Operating and electrical	
Colour Code	930 [CCT of 3,000 K]	Input frequency	- Hz
Technical Beam Angle (Nom)	60 °	Power (Rated) (Nom)	6.7 W
Lamp Luminous Flux 25°C EL (Nom)	480 lm	Lamp current (nom.)	650 mA
Luminous intensity (nom.)	440 cd	Wattage equivalent	50 W
Colour Designation	White (WH)	Starting time (nom.)	0.5 s
Colour Temperature, horizontal (Nom)	3000 K	Warm-up time to 60% light (nom.)	0.5 s
Lamp Luminous Efficacy EM (Nom)	71.00 lm/W	Power factor (nom.)	0.7
Colour consistency	<3	Voltage (Nom)	ac electronic 12 V
Colour Rendering Index,horiz (Nom)	97		
		Temperature	
		T-Case maximum (nom.)	92 °C

MASTER LEDspot ExpertColor LV

Controls and dimming

Dimmable Only with specific dimmers

Mechanical and housing

Bulb shape MR16 [2inch/50mm]

Approval and application

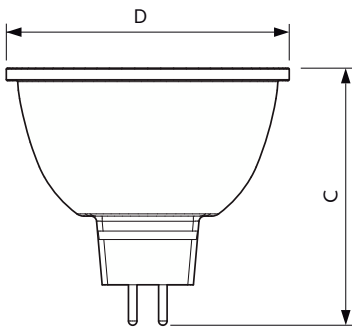
Suitable for accent lighting Yes

Product data

Full product code 871951435715000

Order product name	MASTER LED MR16 ExpertColor 6.7-50W 930 60D
EAN/UPC – product	8719514357150
Order code	929003078608
SAP numerator – quantity per pack	1
Numerator – packs per outer box	10
SAP material	929003078608
Net Weight (Piece)	0.052 kg

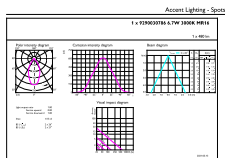
Dimensional drawing



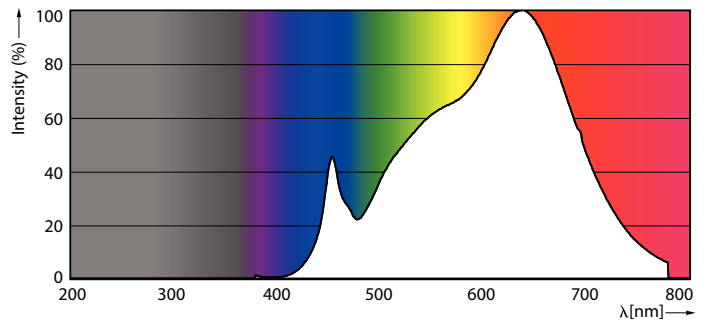
MASTER LED MR16 ExpertColor 6.7-50W 930 60D

Product	D	C
MASTER LED MR16 ExpertColor 6.7-50W 930 60D	50.5 mm	46 mm

Photometric data



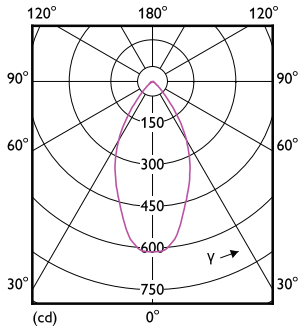
LEDspot MAS IC 6,7W MR16 GU5,3 930 60D-ADL



LEDspots MAS IC 6,7W MR16 GU5,3 930 60D-POC

MASTER LEDspot ExpertColor LV

Photometric data



LEDspots MAS IC 6,7W MR16 GU5,3 930 60D-LDD

Lifetime



Life Expectancy Diagram



Lumen Maintenance Diagram

