

MASTER LEDspot ExpertColor LV

MASTER LED MR16 ExpertColor 6.7-50W 927 60D

MASTER LEDspot LV ExpertColor creates a warm and comfortable ambience for hospitality venues, homes and restaurants. It creates such an ambience with superior lighting that has a customised spectrum, high CRI and deep dimming feature. The result? A beautiful lighting experience. What's more, the innovative, trimless lens design will suit almost any interior decor with its clean and neat look. In addition, you can take advantage of the full ExpertColor family, which also includes LEDspot MV and LEDspot Par lamps.

Product data

General information		Operating and electrical	
Cap base	GU5.3 [GU5.3]	Input frequency	- Hz
EU RoHS compliant	Yes	Power (Rated) (Nom)	6.7 W
Nominal lifetime (nom.)	40000 h	Lamp current (nom.)	650 mA
Light technical		Wattage equivalent	50 W
Colour Code	927 [CCT of 2,700 K]	Starting time (nom.)	0.5 s
Technical Beam Angle (Nom)	60 °	Warm-up time to 60% light (nom.)	0.5 s
Lamp Luminous Flux 25°C EL (Nom)	450 lm	Power factor (nom.)	0.7
Luminous intensity (nom.)	410 cd	Voltage (Nom)	ac electronic 12 V
Colour Designation	Warm white (WW)	Temperature	
Colour Temperature, horizontal (Nom)	2700 K	T-Case maximum (nom.)	92 °C
Lamp Luminous Efficacy EM (Nom)	67.00 lm/W	Controls and dimming	
Colour consistency	<3	Dimmable	Only with specific dimmers
Colour Rendering Index,horiz (Nom)	97		
LLMF at end of nominal lifetime (nom.)	70 %		

MASTER LEDspot ExpertColor LV

Mechanical and housing

Bulb shape MR16 [2inch/50mm]

Approval and application

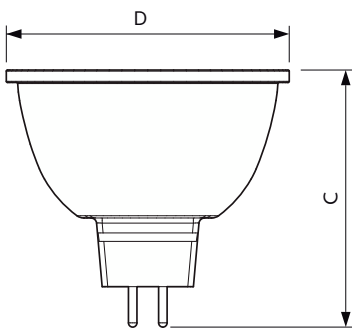
Suitable for accent lighting Yes

Product data

Full product code 871951435881200
 Order product name MASTER LED MR16 ExpertColor 6.7-50W 927 60D

EAN/UPC – product 8719514358812
 Order code 929003078508
 SAP numerator – quantity per pack 1
 Numerator – packs per outer box 10
 SAP material 929003078508
 Net Weight (Piece) 0.052 kg

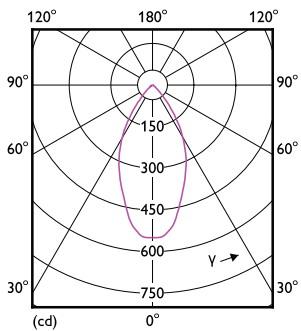
Dimensional drawing



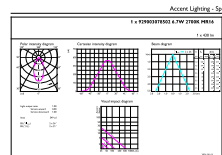
MASTER LED MR16 ExpertColor 6.7-50W 927 60D

Product	D	C
MASTER LED MR16 ExpertColor 6.7-50W 927 60D	50.5 mm	46 mm

Photometric data



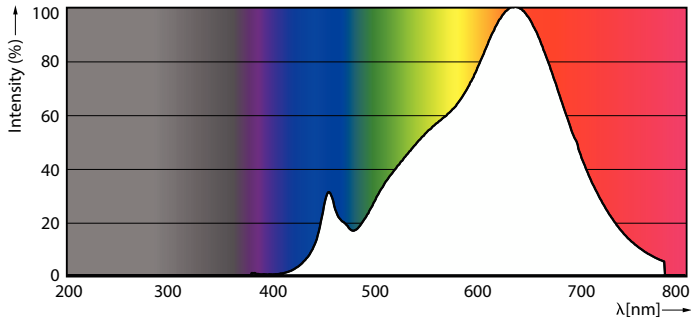
LEDspots MAS IC 6,7W MR16 GU5,3 927 60D-LDD



LEDspots MAS IC 6,7W MR16 GU5,3 927 60D-ADL

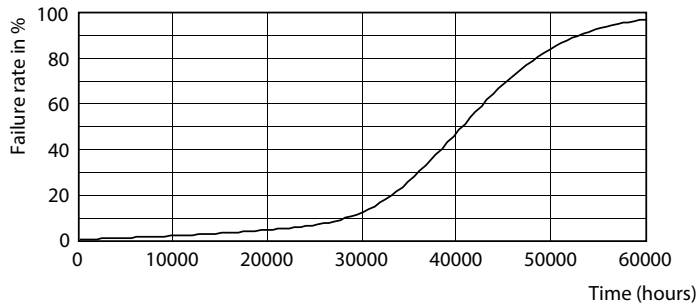
MASTER LEDspot ExpertColor LV

Photometric data

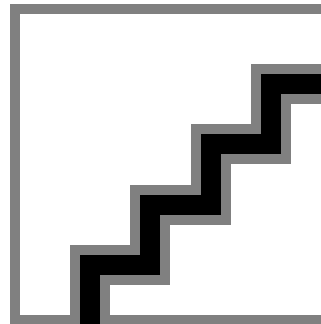


LEDspots MAS IC 6,7W MR16 GU5,3 927 60D-POC

Lifetime



Life Expectancy Diagram



Lumen Maintenance Diagram

