



MASTER LEDspot ExpertColor LV

MASTER LED MR16 ExpertColor 6.7-50W 927 36D

MASTER LEDspot LV ExpertColor creates a warm and comfortable ambience for hospitality venues, homes and restaurants. It creates such an ambience with superior lighting that has a customised spectrum, high CRI and deep dimming feature. The result? A beautiful lighting experience. What's more, the innovative, trimless lens design will suit almost any interior decor with its clean and neat look. In addition, you can take advantage of the full ExpertColor family, which also includes LEDspot MV and LEDspot Par lamps.

Product data

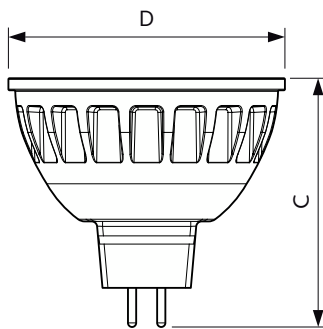
General Information		Operating and Electrical	
Cap base	GU5.3 [GU5.3]	Input frequency	- Hz
EU RoHS compliant	Yes	Power (Rated) (Nom)	6.7 W
Nominal lifetime (nom.)	40000 h	Lamp current (nom.)	650 mA
Switching cycle	50,000X	Wattage equivalent	50 W
Light Technical		Starting time (nom.)	0.5 s
Colour Code	927 [CCT of 2,700 K]	Warm-up time to 60% light (nom.)	0.5 s
Technical Beam Angle (Nom)	36 °	Power factor (nom.)	0.7
Lamp Luminous Flux 25°C EL (Nom)	450 lm	Voltage (Nom)	ac electronic 12 V
Luminous intensity (nom.)	1350 cd	Temperature	
Colour Designation	Warm white (WW)	T-Case maximum (nom.)	92 °C
Colour Temperature, horizontal (Nom)	2700 K	Controls and Dimming	
Lamp Luminous Efficacy EM (Nom)	67.00 lm/W	Dimmable	Only with specific dimmers
Colour consistency	<3		
Colour Rendering Index,horiz (Nom)	97		
LLMF at end of nominal lifetime (nom.)	70 %		

MASTER LEDspot ExpertColor LV

Mechanical and Housing	
Bulb shape	MR16 [2inch/50mm]
Approval and Application	
Suitable for accent lighting	Yes
Product Data	
Full product code	871951435717400
Order product name	MASTER LED MR16 ExpertColor 6.7-50W 927 36D

EAN/UPC – product	8719514357174
Order code	929003077308
SAP numerator – quantity per pack	1
Numerator – packs per outer box	10
SAP material	929003077308
SAP net weight (piece)	0.052 kg

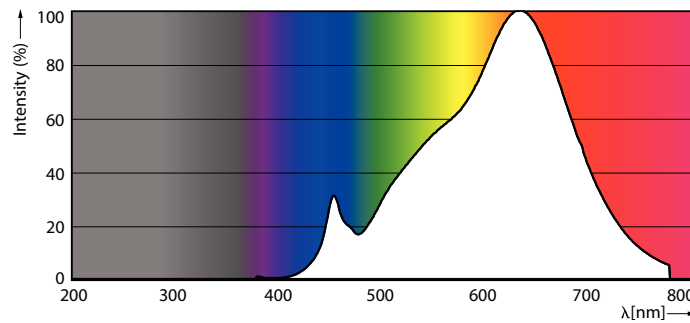
Dimensional drawing



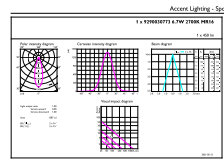
MASTER LED MR16 ExpertColor 6.7-50W 927 36D

Product	D	C
MASTER LED MR16 ExpertColor 6.7-50W 927 36D	50.5 mm	46 mm

Photometric data



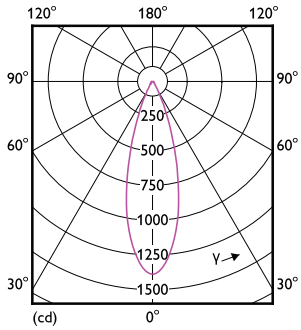
LEDspots MAS IC 6,7W MR16 GU5,3 927 60D-POC



LEDspots GMGC 1 6,7W MR16 GU5,3 927 36D-ADL

MASTER LEDspot ExpertColor LV

Photometric data



LEDspots GMGC 16,7W MR16 GU5,3 927 36D-LDD

Lifetime



LEDspots LED 40K



LEDspots LMP 40K

