



# MASTER LEDspot ExpertColor LV

## MASTER LED MR16 ExpertColor 6.7-50W 930 24D

MASTER LEDspot LV ExpertColor creates a warm and comfortable ambience for hospitality venues, homes and restaurants. It creates such an ambience with superior lighting that has a customised spectrum, high CRI and deep dimming feature. The result? A beautiful lighting experience. What's more, the innovative, trimless lens design will suit almost any interior decor with its clean and neat look. In addition, you can take advantage of the full ExpertColor family, which also includes LEDspot MV and LEDspot Par lamps.

### Product data

General Information		Operating and Electrical	
Cap base	GU5.3 [ GU5.3]	Input frequency	- Hz
EU RoHS compliant	Yes	Power (Rated) (Nom)	6.7 W
Nominal lifetime (nom.)	40000 h	Lamp current (nom.)	650 mA
Switching cycle	50,000X	Wattage equivalent	50 W
<b>Light Technical</b>		Starting time (nom.)	0.5 s
Colour Code	930 [ CCT of 3,000 K]	Warm-up time to 60% light (nom.)	0.5 s
Technical Beam Angle (Nom)	24 °	Power factor (nom.)	0.7
Lamp Luminous Flux 25°C EL (Nom)	480 lm	Voltage (Nom)	ac electronic 12 V
Luminous intensity (nom.)	2400 cd	<b>Temperature</b>	
Colour Designation	White (WH)	T-Case maximum (nom.)	92 °C
Colour Temperature, horizontal (Nom)	3000 K	<b>Controls and Dimming</b>	
Lamp Luminous Efficacy EM (Nom)	71.00 lm/W	Dimmable	Only with specific dimmers
Colour consistency	<3		
Colour Rendering Index,horiz (Nom)	97		
LLMF at end of nominal lifetime (nom.)	70 %		

# MASTER LEDspot ExpertColor LV

## Mechanical and Housing

Bulb shape MR16 [ 2inch/50mm]

## Approval and Application

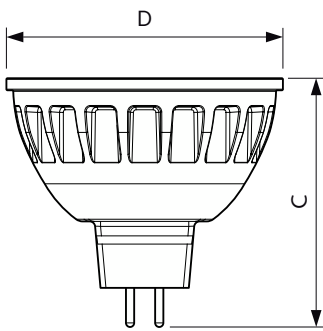
Suitable for accent lighting Yes

## Product Data

Full product code 871951435711200  
 Order product name MASTER LED MR16 ExpertColor 6.7-50W 930 24D

EAN/UPC – product 8719514357112  
 Order code 929003077108  
 SAP numerator – quantity per pack 1  
 Numerator – packs per outer box 10  
 SAP material 929003077108  
 SAP net weight (piece) 0.052 kg

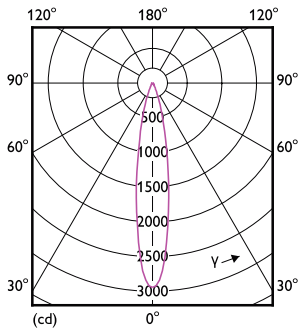
## Dimensional drawing



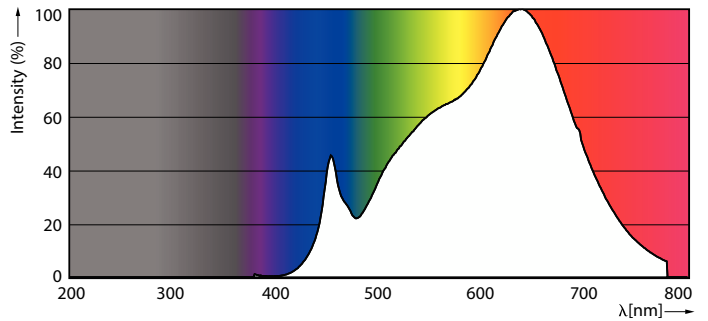
MASTER LED MR16 ExpertColor 6.7-50W 930 24D

Product	D	C
MASTER LED MR16 ExpertColor 6.7-50W 930 24D	50.5 mm	46 mm

## Photometric data



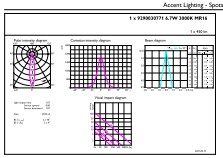
LEDspots GMGC 1 6,7W MR16 GU5,3 930 24D-LDD



LEDspots MAS IC 6,7W MR16 GU5,3 930 60D-POC

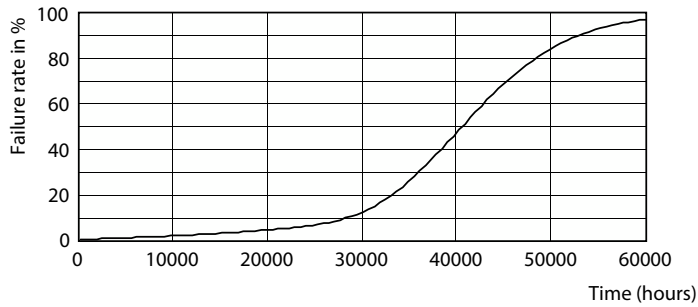
# MASTER LEDspot ExpertColor LV

## Photometric data

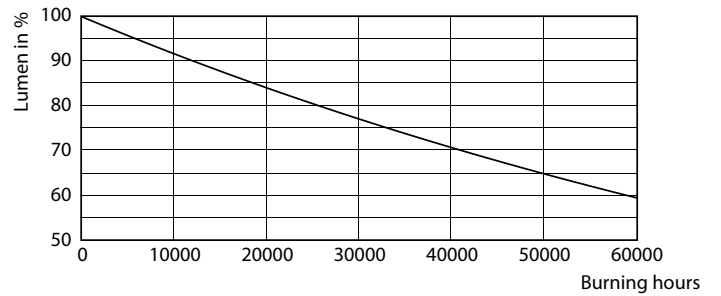


LEDspots GMGC 16,7W MR16 GU5,3 930 24D-ADL

## Lifetime



LEDspots LED 40K



LEDspots LMP 40K

