



MASTER LEDspot ExpertColor LV

MASTER LED MR16 ExpertColor 6.7-50W 927 10D

MASTER LEDspot LV ExpertColor creates a warm and comfortable ambience for hospitality venues, homes and restaurants. It creates such an ambience with superior lighting that has a customised spectrum, high CRI and deep dimming feature. The result? A beautiful lighting experience. What's more, the innovative, trimless lens design will suit almost any interior decor with its clean and neat look. In addition, you can take advantage of the full ExpertColor family, which also includes LEDspot MV and LEDspot Par lamps.

Product data

General Information		Operating and Electrical	
Cap base	GU5.3 [GU5.3]	Input frequency	- Hz
EU RoHS compliant	Yes	Power (Rated) (Nom)	6.7 W
Nominal lifetime (nom.)	40000 h	Lamp current (nom.)	650 mA
Switching cycle	50,000X	Wattage equivalent	50 W
		Starting time (nom.)	0.5 s
		Warm-up time to 60% light (nom.)	0.5 s
		Power factor (nom.)	0.7
		Voltage (Nom)	ac electronic 12 V
Light Technical		Temperature	
Colour Code	927 [CCT of 2,700 K]	T-Case maximum (nom.)	92 °C
Technical Beam Angle (Nom)	10 °		
Lamp Luminous Flux 25°C EL (Nom)	450 lm	Controls and Dimming	
Luminous intensity (nom.)	4500 cd	Dimmable	Only with specific dimmers
Colour Designation	Warm white (WW)		
Colour Temperature, horizontal (Nom)	2700 K		
Lamp Luminous Efficacy EM (Nom)	67.00 lm/W		
Colour consistency	<3		
Colour Rendering Index,horiz (Nom)	97		
LLMF at end of nominal lifetime (nom.)	70 %		

MASTER LEDspot ExpertColor LV

Mechanical and Housing

Bulb shape MR16 [2inch/50mm]

Approval and Application

Suitable for accent lighting Yes

Product Data

Full product code 871951435703700
 Order product name MASTER LED MR16 ExpertColor 6.7-50W 927 10D

EAN/UPC – product 8719514357037

Order code 929003076708

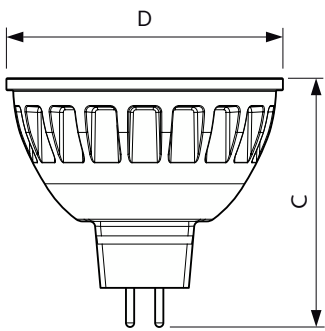
SAP numerator – quantity per pack 1

Numerator – packs per outer box 10

SAP material 929003076708

SAP net weight (piece) 0.052 kg

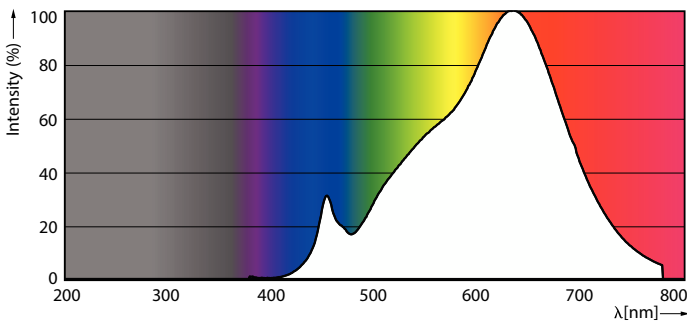
Dimensional drawing



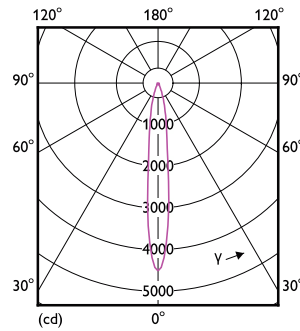
MASTER LED MR16 ExpertColor 6.7-50W 927 10D

Product	D	C
MASTER LED MR16 ExpertColor 6.7-50W 927 10D	50.5 mm	46 mm

Photometric data



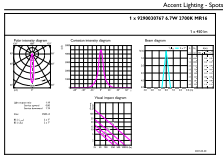
LEDspots MAS IC 6,7W MR16 GU5,3 927 60D-POC



LEDspots GMGC 1 6,7W MR16 GU5,3 927 10D-LDD

MASTER LEDspot ExpertColor LV

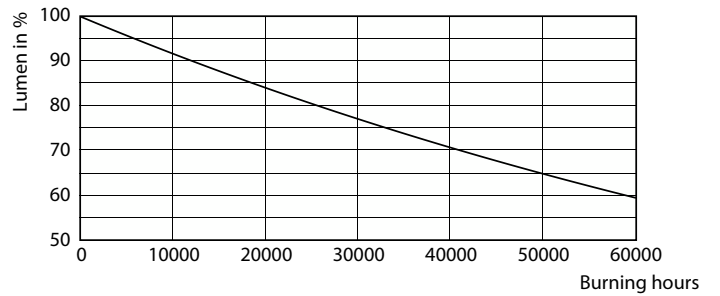
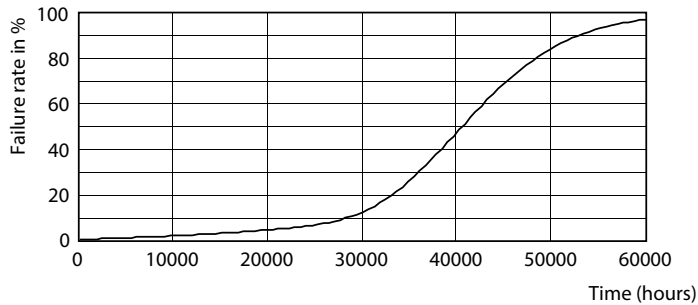
Photometric data



© 2022 Philips Lighting B.V. Page 1/1

LEDspots GMGC 1 6,7W MR16 GU5,3 927 10D-ADL

Lifetime



LEDspots LED 40K

LEDspots LMP 40K

