

# MASTER LEDspot LV

## MASTER LED 7.5-50W+ 830 MR16 36D Dim

Delivering an intense accent beam, the MASTER LEDspot LV is an ideal retrofit solution for spot-lighting. The MASTER LEDspot LV is designed to replace halogen or incandescent spots. It achieves natural colours, enables cosy and comfortable ambience for residential and hospitality usage, and emphasises the beauty of merchandise in retail. A new smaller housing provides perfect fitting with the majority of luminaires on the market with a MR16 GU 5.3 holder. It not only employs Philips's patented solution to guarantee the broadest possible compatibility with standard 12 V halogen electronic transformers, it also delivers high beam intensity which is equivalent to halogen MR16 spots. The dimming function enables users to create the desired atmosphere and it works with broad selection of dimmers. Its high SDCM ensures stricter colour consistency, that is maintained over product life. The MASTER LEDspot LV delivers huge energy savings and minimises maintenance costs without any compromise on light quality and lifetime, enabling residential and business owners to achieve a return on their investment within a short time period.

### Product data

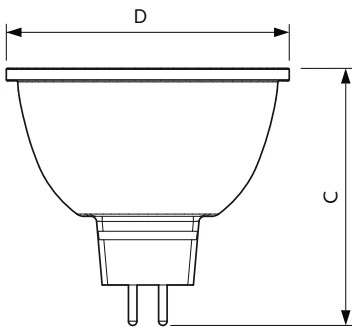
General information		Colour consistency	
Cap base	GU5.3 [ GU5.3]	Colour consistency	<4
EU RoHS compliant	Yes	Colour Rendering Index,horiz (Nom)	80
Nominal lifetime (nom.)	40000 h	LLMF at end of nominal lifetime (nom.)	70 %
Light technical		Operating and electrical	
Colour Code	830 [ CCT of 3,000 K]	Input frequency	- Hz
Technical Beam Angle (Nom)	36 °	Power (Rated) (Nom)	7.5 W
Lamp Luminous Flux 25°C EL (Nom)	660 lm	Lamp current (nom.)	720 mA
Luminous intensity (nom.)	1700 cd	Wattage equivalent	50 W
Colour Designation	White (WH)	Starting time (nom.)	0.5 s
Colour Temperature, horizontal (Nom)	3000 K	Warm-up time to 60% light (nom.)	0.5 s
Lamp Luminous Efficacy EM (Nom)	88.00 lm/W	Power factor (nom.)	0.7

# MASTER LEDspot LV

<b>Voltage (Nom)</b>	ac electronic 12 V
<b>Temperature</b>	
T-Case maximum (nom.)	93 °C
<b>Controls and dimming</b>	
Dimmable	Only with specific dimmers
<b>Mechanical and housing</b>	
Bulb shape	MR16 [ 2inch/50mm]
<b>Approval and application</b>	
Suitable for accent lighting	Yes

<b>Product data</b>	
Full product code	87195143581900
Order product name	MASTER LED 7.5-50W+ 830 MR16 36D Dim
EAN/UPC – product	8719514358119
Order code	929003072808
SAP numerator – quantity per pack	1
Numerator – packs per outer box	10
SAP material	929003072808
Net Weight (Piece)	0.060 kg

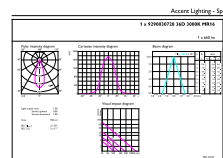
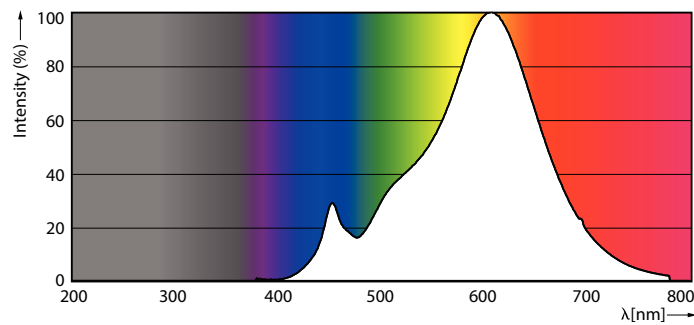
## Dimensional drawing



MASTER LED 7.5-50W+ 830 MR16 36D Dim

Product	D	C
MASTER LED 7.5-50W+ 830 MR16 36D Dim	50 mm	46.5 mm

## Photometric data

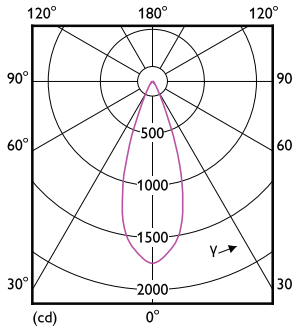


LEDspots DIM IC 8W MR16 GU5,3 830 25D-POC

LEDspots DIM IC 8W MR16 GU5,3 830 35D-ADL

# MASTER LEDspot LV

## Photometric data



LEDspots DIM IC 8W MR16 GU5,3 827 35D-LDD

## Lifetime



Life Expectancy Diagram



Lumen Maintenance Diagram

