



MASTER LEDspot LV

MASTER LED 7.5-50W+ 830 MR16 24D Dim

Delivering an intense accent beam, the MASTER LEDspot LV is an ideal retrofit solution for spot-lighting. The MASTER LEDspot LV is designed to replace halogen or incandescent spots. It achieves natural colours, enables cosy and comfortable ambience for residential and hospitality usage, and emphasises the beauty of merchandise in retail. A new smaller housing provides perfect fitting with the majority of luminaires on the market with a MR16 GU 5.3 holder. It not only employs Philips's patented solution to guarantee the broadest possible compatibility with standard 12 V halogen electronic transformers, it also delivers high beam intensity which is equivalent to halogen MR16 spots. The dimming function enables users to create the desired atmosphere and it works with broad selection of dimmers. Its high SDCM ensures stricter colour consistency, that is maintained over product life. The MASTER LEDspot LV delivers huge energy savings and minimises maintenance costs without any compromise on light quality and lifetime, enabling residential and business owners to achieve a return on their investment within a short time period.

Product data

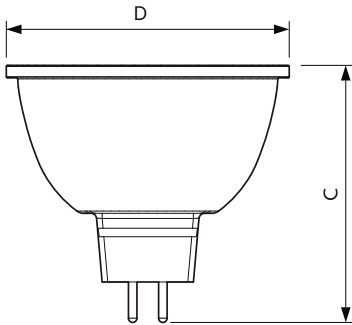
General information		Colour consistency	
Cap base	GU5.3 [GU5.3]	Colour consistency	<4
EU RoHS compliant	Yes	Colour Rendering Index,horiz (Nom)	80
Nominal lifetime (nom.)	40000 h	LLMF at end of nominal lifetime (nom.)	70 %
Light technical		Operating and electrical	
Colour Code	830 [CCT of 3,000 K]	Input frequency	- Hz
Technical Beam Angle (Nom)	24 °	Power (Rated) (Nom)	7.5 W
Lamp Luminous Flux 25°C EL (Nom)	660 lm	Lamp current (nom.)	720 mA
Luminous intensity (nom.)	3250 cd	Wattage equivalent	50 W
Colour Designation	White (WH)	Starting time (nom.)	0.5 s
Colour Temperature, horizontal (Nom)	3000 K	Warm-up time to 60% light (nom.)	0.5 s
Lamp Luminous Efficacy EM (Nom)	88.00 lm/W	Power factor (nom.)	0.7

MASTER LEDspot LV

Voltage (Nom)	ac electronic 12 V
Temperature	
T-Case maximum (nom.)	93 °C
Controls and dimming	
Dimmable	Only with specific dimmers
Mechanical and housing	
Bulb shape	MR16 [2inch/50mm]
Approval and application	
Suitable for accent lighting	Yes

Product data	
Full product code	871951435807200
Order product name	MASTER LED 7.5-50W+ 830 MR16 24D Dim
EAN/UPC – product	8719514358072
Order code	929003072608
SAP numerator – quantity per pack	1
Numerator – packs per outer box	10
SAP material	929003072608
Net Weight (Piece)	0.060 kg

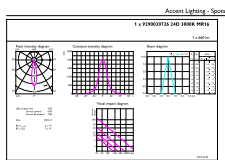
Dimensional drawing



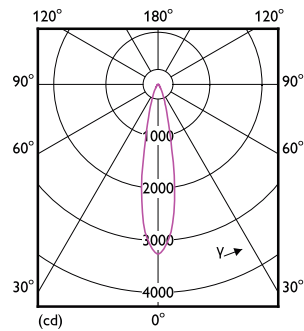
MASTER LED 7.5-50W+ 830 MR16 24D Dim

Product	D	C
MASTER LED 7.5-50W+ 830 MR16 24D Dim	50 mm	46.5 mm

Photometric data



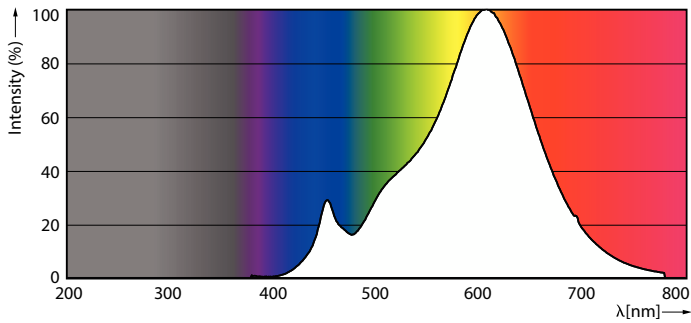
LEDspots DIM IC 8W MR16 GU5,3 830 25D-ADL



LEDspots DIM IC 8W MR16 GU5,3 827 25D-LDD

MASTER LEDspot LV

Photometric data



LEDspots DIM IC 8W MR16 GU5,3 830 25D-POC

Lifetime



Life Expectancy Diagram



Lumen Maintenance Diagram

