



MASTER LEDspot LV

MASTER LED 6.5-50W 927 MR16 10D Dim

Delivering an intense accent beam, the MASTER LEDspot LV is an ideal retrofit solution for spot-lighting. The MASTER LEDspot LV is designed to replace halogen or incandescent spots. It achieves natural colours, enables cosy and comfortable ambience for residential and hospitality usage, and emphasises the beauty of merchandise in retail. A new smaller housing provides perfect fitting with the majority of luminaires on the market with a MR16 GU 5.3 holder. It not only employs Philips's patented solution to guarantee the broadest possible compatibility with standard 12 V halogen electronic transformers, it also delivers high beam intensity which is equivalent to halogen MR16 spots. The dimming function enables users to create the desired atmosphere and it works with broad selection of dimmers. Its high SDCM ensures stricter colour consistency, that is maintained over product life. The MASTER LEDspot LV delivers huge energy savings and minimises maintenance costs without any compromise on light quality and lifetime, enabling residential and business owners to achieve a return on their investment within a short time period.

Product data

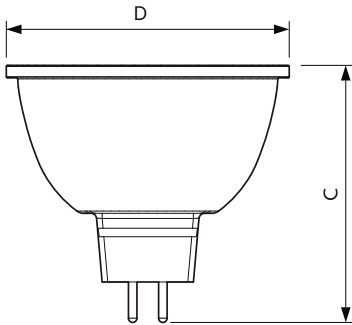
General Information		Operating and Electrical	
Cap base	GU5.3 [GU5.3]	Lamp Luminous Efficacy EM (Nom)	76.00 lm/W
EU RoHS compliant	Yes	Colour consistency	<4
Nominal lifetime (nom.)	40000 h	Colour Rendering Index,horiz (Nom)	90
Switching cycle	50,000X	LLMF at end of nominal lifetime (nom.)	70 %
Light Technical		Input frequency	- Hz
Colour Code	927 [CCT of 2,700 K]	Power (Rated) (Nom)	6.5 W
Technical Beam Angle (Nom)	10 °	Lamp current (nom.)	650 mA
Lamp Luminous Flux 25°C EL (Nom)	500 lm	Wattage equivalent	50 W
Luminous intensity (nom.)	5300 cd	Starting time (nom.)	0.5 s
Colour Designation	Warm white (WW)	Warm-up time to 60% light (nom.)	0.5 s
Colour Temperature, horizontal (Nom)	2700 K	Power factor (nom.)	0.7

MASTER LEDspot LV

Voltage (Nom)	ac electronic 12 V
Temperature	
T-Case maximum (nom.)	90 °C
Controls and Dimming	
Dimmable	Only with specific dimmers
Mechanical and Housing	
Bulb shape	MR16 [2inch/50mm]
Approval and Application	
Suitable for accent lighting	Yes

Product Data	
Full product code	871951435769300
Order product name	MASTER LED 6.5-50W 927 MR16 10D Dim
EAN/UPC – product	8719514357693
Order code	929003071608
SAP numerator – quantity per pack	1
Numerator – packs per outer box	10
SAP material	929003071608
SAP net weight (piece)	0.060 kg

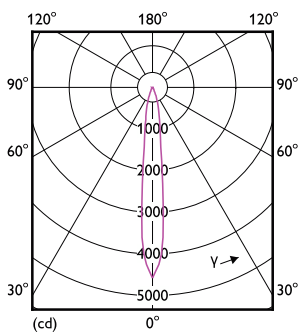
Dimensional drawing



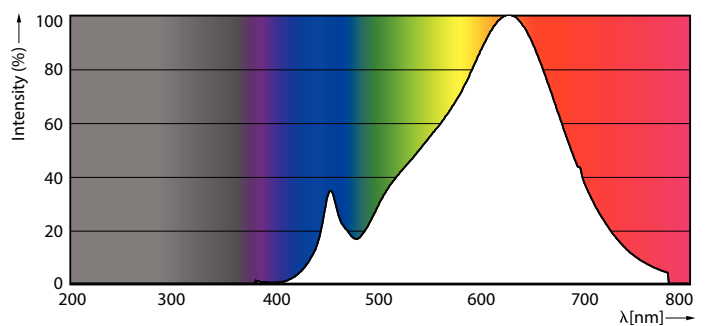
MR16 12V 7-50W 500lm 10D 2700K GU5.3 D

Product	D	C
MASTER LED 6.5-50W 927 MR16 10D Dim	50 mm	46.5 mm

Photometric data



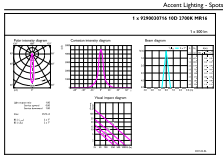
LEDspots GMGCLA 6,5W MR16 GU5,3 927 10D-LDD



LEDspots GMGCLA 6,5W MR16 GU5,3 927 10D-POC

MASTER LEDspot LV

Photometric data



LEDspots GMGCLA 6,5W MR16 GU5,3 927 10D-ADL

Lifetime



LEDspots LED 40K



LEDspots LMP 40K

