



MASTER LEDspot LV

MASTER LED 6.5-50W 930 MR16 24D ND

Delivering intense accent beam, MASTER LEDspot LV is an ideal retrofit solution for spot lighting. MASTER LEDspot LV is designed to replace halogen or incandescent spots. It realizes natural colors, enables cozy and comfortable ambience for residential, hospitality and emphasizes the beauty of merchandise in retail. New smaller housing provides perfect fitting with majority of luminaires in a market with a MR16 GU 5.3 holder. It not only employs Philips' patented solution to guarantee the broadest possible compatibility with standard 12V halogen electronic transformers, it also delivers high beam intensity which is equivalent to halogen MR16 spots. The dimming function enables to create the desired atmosphere and it works with broad selection of dimmers. Its high SDCM ensure stricter color consistency, that is maintained over product life. MASTER LEDspot LV delivers huge energy savings and minimizes maintenance cost without any compromise on light quality and lifetime, enabling residential and business owners to achieve a return on their investment within short period time.

Product data

General Information		Luminous Efficacy (rated) (Nom)	
Lighting Technology	LED		72 lm/W
Switching Cycle	50,000	Color Consistency	<4
Nominal lifetime	40,000 hour(s)	Color rendering index (CRI)	90
Cap-Base	GU5.3 [GU5.3]	LLMF At End Of Nominal Lifetime (Nom)	70 %
Light Technical		Operating and Electrical	
Color Code	930 [CCT of 3000K]	Line Frequency	- Hz
Beam Angle (Nom)	24 degree(s)	Input Frequency	- Hz
Luminous Flux	470 lumen	Power Consumption	6.5 W
Luminous Intensity (Nom)	2,300 cd	Lamp Current (Nom)	720 mA
Color Designation	White (WH)	Wattage Equivalent	50 W
Correlated Color Temperature (Nom)	3000 K	Starting Time (Nom)	0.5 s
		Warm-up time to 60% light	0.5 s

MASTER LEDspot LV

Power Factor (Fraction)	0.7
Voltage (Nom)	ac electronic 12 V
Temperature	
Ambient temperature range	-20 °C to 45 °C
T-Case Maximum (Nom)	90 °C
Controls and Dimming	
Dimmable	No
Mechanical and Housing	
Bulb Finish	Clear
Bulb Material	Metal
Bulb Shape	MR16 [2inch/50mm]

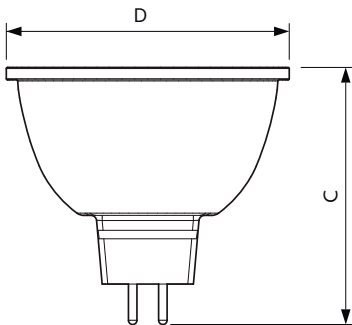
Approval and Application

Suitable For Accent Lighting	Yes
EU RoHS compliant	Yes

Product Data

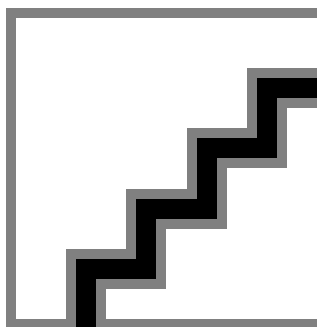
Full product code	871869681305800
Order product name	MASTER LED 6.5-50W 930 MR16 24D ND
Order code	929001882008
Numerator - Quantity Per Pack	1
Numerator - Packs per outer box	10
Material number (12NC)	929001882008
Full product name	MASTER LED 6.5-50W 930 MR16 24D ND
EAN/UPC - Case	8718696813065

Dimensional drawing



Product	D	C
MASTER LED 6.5-50W 930 MR16 24D ND	50.5 mm	46.5 mm

Photometric data

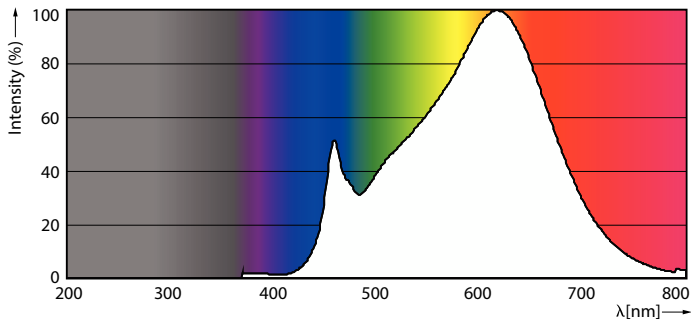


Light Distribution Diagram - MASTER LED 6.5-50W 930 MR16 24D ND

Accent Lighting Spots - MASTER LED 6.5-50W 930 MR16 24D ND

MASTER LEDspot LV

Photometric data



Spectral Power Distribution Colour - MASTER LED 6.5-50W 930 MR16 24D ND

Lifetime

Lumen Maintenance Diagram - MASTER LED 6.5-50W 930 MR16 24D ND

Life Expectancy Diagram - MASTER LED 6.5-50W 930 MR16 24D ND

