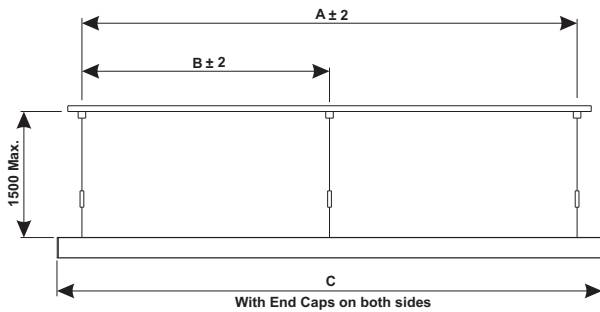
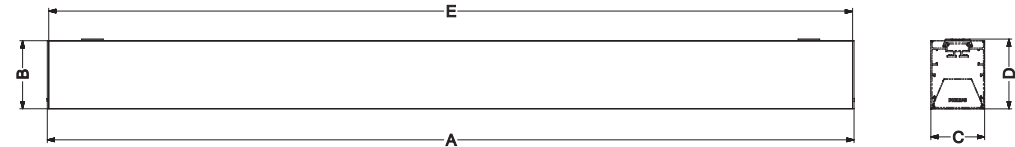
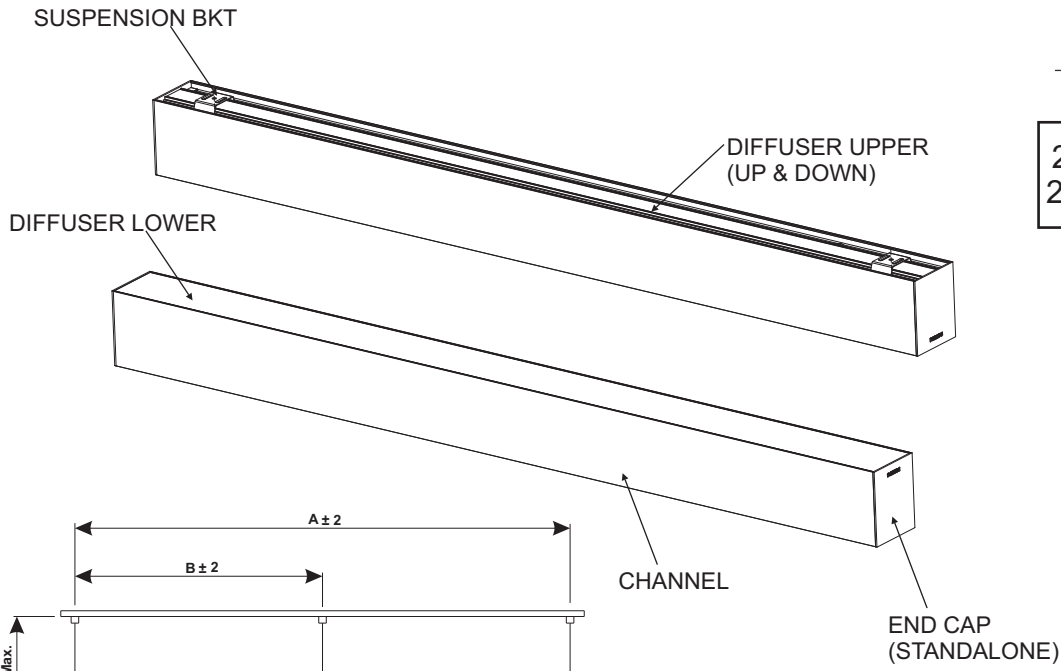


# Installation Instructions

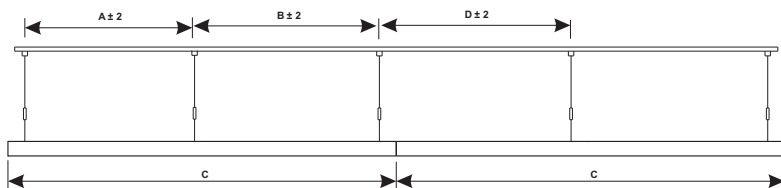
## PURE LINE SLIM SUSPENDED

# PHILIPS

220 240V~	50/60 Hz		IP20		IEC EN60598			
--------------	-------------	--	------	--	----------------	--	--	--



STANDALONE	No. of Suspensions	A	B	C
2' Version	2	450	-	566
4' Version	2	1000	-	1126
8' Version	3	1000	1122	2248



CONTINUOUS	No. of Suspensions	A	B	C	D
2' Version	2	450	-	566	562
4' Version	2	1000	-	1126	1122
8' Version	3	1000	1122	2248	1122

TYPE	A	B	C	D	E	Voltage	Frequency
SP780P LEDxxS W7L56	566	95	75	98	NA	220-240V~	50/60Hz
SP781P LEDxxS W7L56							
SP780X LEDxxS W7L56							
SP781X LEDxxS W7L56	NA	562					
SP780P LEDxxS W7L112	1126	95	75	98	NA	220-240V~	50/60Hz
SP781P LEDxxS W7L112							
SP780X LEDxxS W7L112							
SP781X LEDxxS W7L112	NA	1122					
SP780P LEDxxS W7L224	2248	95	75	98	NA	220-240V~	50/60Hz
SP781P LEDxxS W7L224							
SP780X LEDxxS W7L224							
SP781X LEDxxS W7L224	NA	2244					
SP780P LEDxxS W6L56	566	95	60	98	NA	220-240V~	50/60Hz
SP781P LEDxxS W6L56							
SP780X LEDxxS W6L56							
SP781X LEDxxS W6L56	NA	562					
SP780P LEDxxS W6L112	1126	95	60	98	NA	220-240V~	50/60Hz
SP781P LEDxxS W6L112							
SP780X LEDxxS W6L112							
SP781X LEDxxS W6L112	NA	1122					
SP780P LEDxxS W6L224	2248	95	60	98	NA	220-240V~	50/60Hz
SP781P LEDxxS W6L224							
SP780X LEDxxS W6L224							
SP781X LEDxxS W6L224	NA	2244					

Note : The type name is only for the reference purpose, actual type name may vary depending on requirements. . .

## Product Dimensions

P -> STANDALONE  
X -> CONTINUOUS  
780 -> DOWN ONLY  
781 -> UP AND DOWN

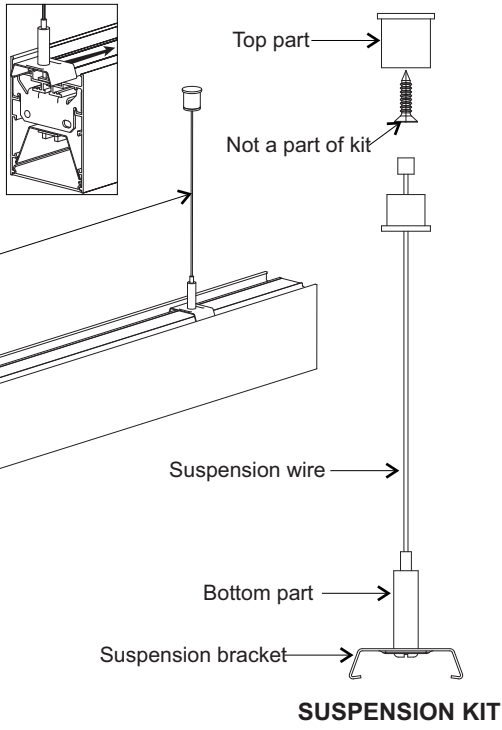
4415 109 27110



**ATTENTION:** Install by a qualified electrician and wired in accordance with latest IEE electrical regulations or the national requirements.

All dimensions in mm

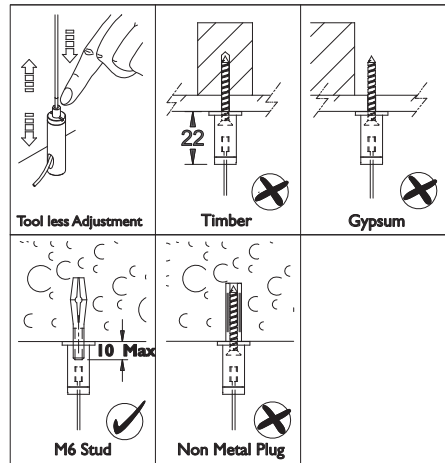
1. For standalone version, remove the nut from the suspension bracket and attach the bottom part with the screw to suspension bracket.
2. For continuous version, attach the bottom part to suspension bracket with screw and slide it in the groove in the channel.
3. Insert the suspension wire through the bottom part.
4. For mounting height adjustment and to level the fixture, squeeze the tip of the bottom part and pull the suspension wire to desire height.



- Tools required for installation :
- 1-Screw Driver
  - 2-Box Spanner
  - 3-Allen key
  - 4-Spirit level
  - 5-Gloves

### SUSPENSION KIT

### Suspension Cable adjustment



**IMPORTANT:**  
Do not force cable into adjuster. To insert cable into adjuster, follow the steps below.

#### 1. CUT

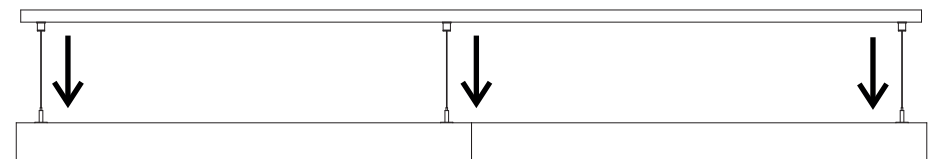
If required, cut cables ends cleanly prior to inserting into adjuster.

#### 2. INSERT

Carefully insert cable from top end. If cable does not insert easily or becomes jammed, use the release tool to remove cable. Trim cable ends again and repeat process. **DO NOT BEND OR LOOP CABLE BELOW BOTTOM OF ADJUSTER.**

#### 3. TEST

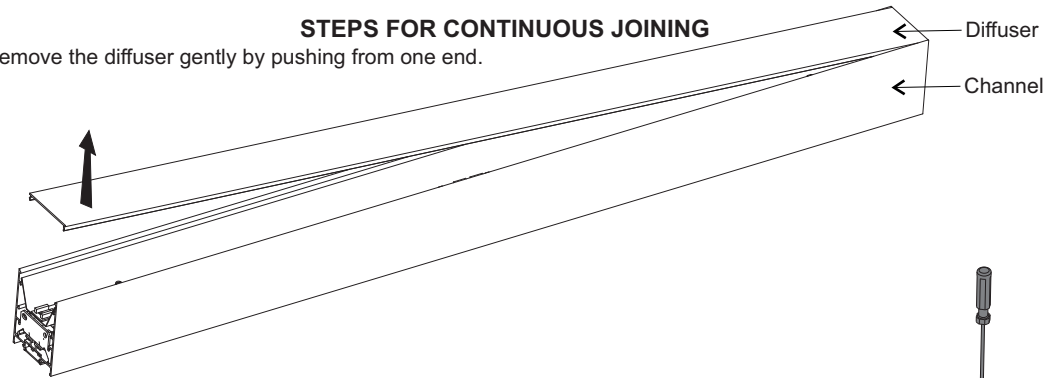
Once cable is inserted, apply a 12 kg point load to each mount bracket to ensure all connections are secure.



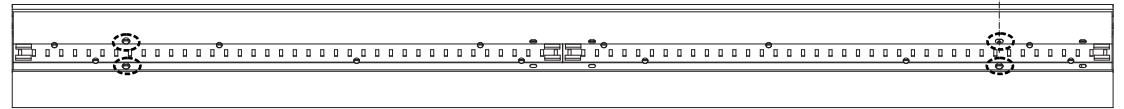
**LEVEL VERTICALLY**  
Ensure fixture is level end to end. Support fixture from below and use adjuster release tool to make final height adjustments. Check level by spirit level.  
Caution: Use PHILIPS authorized suspension kit only.

### STEPS FOR CONTINUOUS JOINING

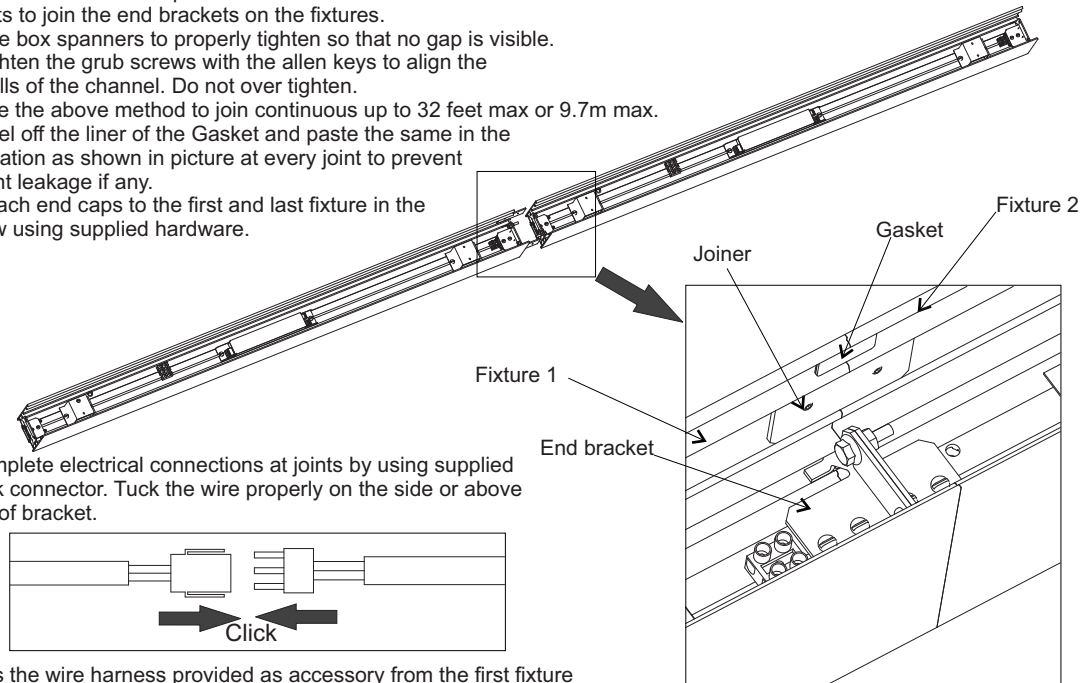
1. Remove the diffuser gently by pushing from one end.



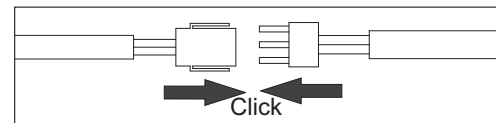
2. Remove 4 screws to loosen the reflector with LED. Caution not to damage LED's while removing screws.



3. i) Put the two fixtures on a flat plane and insert the joiner from one fixture to the other one to align them straight.  
ii) Tighten the two bolts provided with the fixtures with the nuts to join the end brackets on the fixtures. Use box spanners to properly tighten so that no gap is visible.  
iii) Tighten the grub screws with the allen keys to align the walls of the channel. Do not over tighten.  
iv) Use the above method to join continuous up to 32 feet max or 9.7m max.  
v) Peel off the liner of the Gasket and paste the same in the location as shown in picture at every joint to prevent light leakage if any.  
vi) Attach end caps to the first and last fixture in the row using supplied hardware.



4. Complete electrical connections at joints by using supplied click connector. Tuck the wire properly on the side or above the of bracket.



5. Pass the wire harness provided as accessory from the first fixture in the row and complete connection with click connector as above and pass through the grommet.
6. Reconnect all the reflectors with 4 screws each and fix all the diffuser gently back to the fixture.

7. Raise the complete row of fixtures to ceiling with adequate support and at each end of the module, insert suspension cables into fixture and ensure fixtures are vertically and horizontally as per the installation instructions for suspension cable supplied.

### Caution



1. "The light source of this luminaire is not replaceable; when the light source reaches its end of life the whole luminaire shall be replaced";
- 2 Do not stare at the operating light source.
3. If the external flexible cable or cord of this luminaire is damaged, it shall be exclusively replaced by the manufacturer or his service agent or a similar qualified person in order to avoid a hazard.

### Warning

1. The luminaire shall be installed by a qualified electrician and wired in accordance with the latest IEEE electrical regulations or the national requirements
2. Turn power off before inspection, installation or removal.
3. Refer to technical datasheet for additional electrical properties to ensure safe installation.
4. Luminaire installed must not be in contact with combustible materials.
5. Ensure power supply cables (L-N-E) are connected correctly before switching on.
6. Terminal block not included, installation must be performed by a qualified person

### Maintenance

1. Ensure power supply is switched off before attempting any maintenance work.

### Caution

The Luminaire must be used within the applicable product specifications, installation instructions and environmental conditions for storage & operations according to application guidelines provided by Signify for product Warranty to be valid.

**PHILIPS**