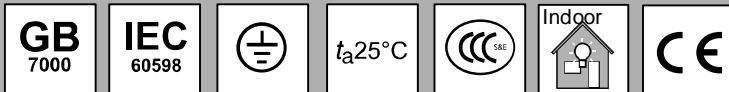


# SlimBalance G2

## SP560P

### Mounting Instructions/安装说明书

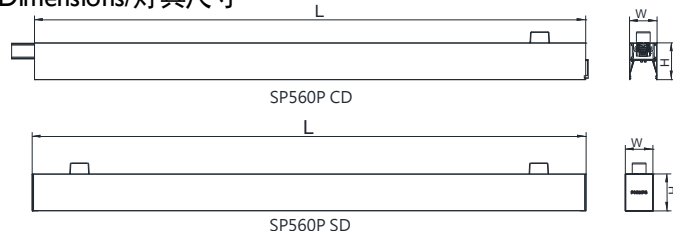
4441 000 09961



Product Type 型号	Voltage (v) 电压	Frequency (Hz) 频率	Power (w) 功率	Energy Efficiency Class	Installation 安装方式	Luminaire Type 灯具连接型号	Width(mm) 宽(mm)	Height(mm) 高(mm)	Weight (Kg) 重量
SP560P LED6 L60W3 PSU	220-240~	50/60	6	D	Suspended	CD/SD	30	55	0.8
SP560P LED12 L120W3 PSU	220-240~	50/60	12	D	Suspended	CD/SD	30	55	0.8
SP560P LED12 L60W6 PSU	220-240~	50/60	19	D	Suspended	CD/SD	60	80	1.2
SP560P LED12 L60W9 PSU	220-240~	50/60	12	D	Suspended	CD/SD	90	80	0.6
SP560P LED20 L60W6 PSU	220-240~	50/60	19	D	Suspended	CD/SD	60	80	0.9
SP560P LED20 L60W9 PSU	220-240~	50/60	19	D	Suspended	CD/SD	90	80	0.9
SP560P LED25 L120W6 PSU	220-240~	50/60	20	D	Suspended	CD/SD	60	80	0.9
SP560P LED25 L120W9 PSU	220-240~	50/60	20	D	Suspended	CD/SD	90	80	1.3
SP560P LED40 L120W6 PSU	220-240~	50/60	35	D	Suspended	CD/SD	60	80	0.8
SP560P LED40 L120W9 PSU	220-240~	50/60	35	D	Suspended	CD/SD	90	80	1.3
SP560P LED20 L60W6 PSD	220-240~	50/60	19	D	Suspended	CD/SD	60	80	1.3
SP560P LED20 L60W9 PSD	220-240~	50/60	19	D	Suspended	CD/SD	90	80	1.3
SP560P LED40 L120W6 PSD	220-240~	50/60	35	D	Suspended	CD/SD	60	80	1.8
SP560P LED40 L120W9 PSD	220-240~	50/60	35	D	Suspended	CD/SD	90	80	0.5

1. This product contains a light source of energy efficiency class: see table
2. CD means luminaires are continuous mounting/ CD 代表灯具可以串联
3. SD is standalone luminaire /SD 代表灯具只能单独安装

#### Dimensions/灯具尺寸



Product Type/型号	L (CD)	L (SD)
SP560P L60	600	610
SP560P L120	1200	1210



1. The luminaire shall be installed by a qualified electrician and wired in accordance with the latest IEE electrical regulations or the national requirements. 灯具应由有资格的电工安装，接线要符合IEE电气标准或国家标准。
2. Please switch off the power supply before changing the product or connection! 更换灯具或接线时，请务必先关闭电源！
3. Do not place readily flammable material near the lamp. 请不要将高温易燃物品放在灯具附近，以免引起火灾或触电。
4. In case of operation failure, please switch off the power and contact your nearest dealer.  
如发现异常或操作有任何问题，请务必先切断电源，然后与经销商联系。
5. The corrosive atmosphere or hazardous materials such as sulfur, chlorine, phthalate, etc. must be avoided during the use and storage.  
灯具避免在腐蚀性环境或者含有有害物质，例如硫化物，卤化物，邻苯二甲酸酯等环境中存储和使用。
6. Basic insulation should be provided between LV supply and control conductors. LV电源和控制导体之间是基本绝缘。
7. If the external flexible cable or cord of this luminaire is damaged, it shall be exclusively replaced by the manufacturer or his service agent or a similar qualified person in order to avoid a hazard. 灯具电源线损坏需专业人士更换。
8. Indoor use only. 本灯具仅限室内使用。
9. Before use, luminaire must be grounded first. it is also ensure that the luminaire are always grounded when in use.  
灯具使用前，必须先接地。整个使用过程中，也必须确保灯具始终接地。
10. The manufacturer will not be held responsible for improper usage or modifications of the product.  
由不当使用或自行更改产品结构而导致的损坏，生产商不承担责任。
11. Do not use other electrical products in this luminaire system.  
不允许在这些串联中间任何部位再串接其他非本支架电器产品。
12. The light source contained in this luminaire shall only be replaced by the manufacturer or his service agent or a similar qualified person. 此灯具内的光源应由制造商或其服务代理商或有类似资格的人来更换。
13. The control gear contained in this luminaire shall only be replaced by the manufacturer or his service agent or a similar qualified person. 本灯具所包含的驱动器只能由制造商或其服务代理商或有类似资格的人更换。



**“警告，触电危险”**

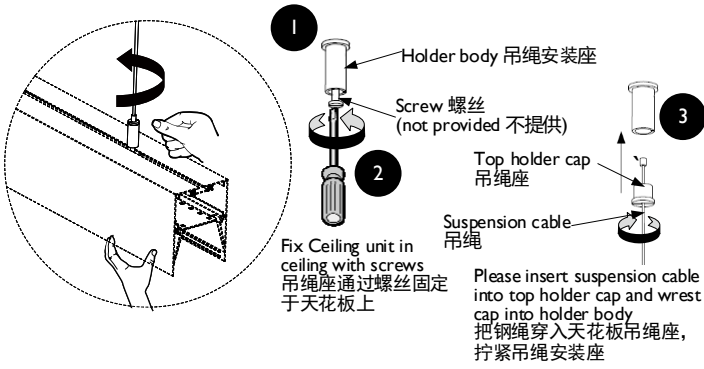
Signify (China) Investment Co., Ltd.  
Building No. 9, Lane 888 Tianlin Road, Minhang District, Shanghai, China  
Postalcode: 200233  
昕诺飞(中国)投资有限公司  
中国上海市闵行区田林路888弄9号楼  
邮编: 200233

# PHILIPS

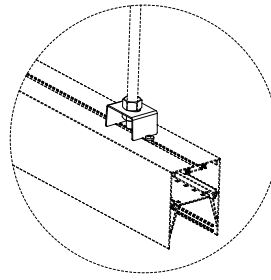
Philips and the Philips shield emblem are registered trademarks of Koninklijke Philips NV.

# Suspension Installation/悬吊安装

## a. Suspension\_ Steel cord/ 吊绳悬挂



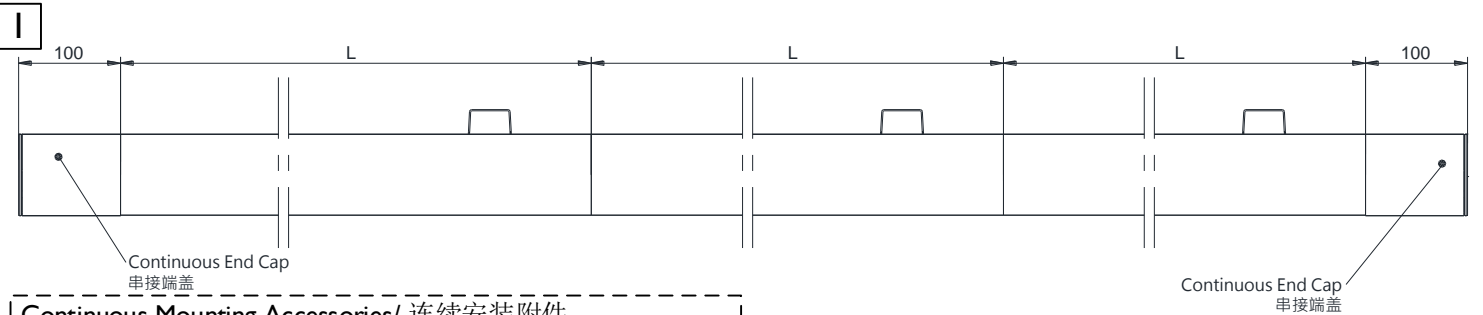
## b. Suspension Pipe/ 杆装



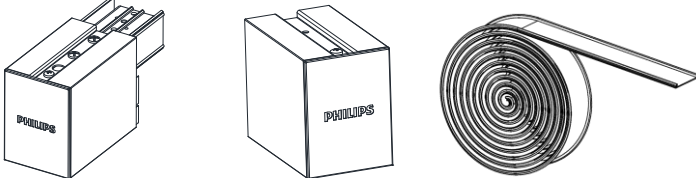
Pole with M10 thread 吊杆 (not provided 不提供)  
Spring or tooth washer D10 弹垫或齿垫 (not provided 不提供)  
Thin nut M10 薄螺母 (not provided 不提供)

Please use spring or tooth washer to avoid the nut to loose when intalling the pole.  
Pole, spring or tooth washer, and thin nut M10 (GB/T 6132) are not provided.  
当吊杆安装时需使用弹簧垫圈或齿垫圈以防止螺母松动。吊杆、弹簧垫圈或齿垫圈以及薄螺母 M10(GB/T6132)不提供。

# Installation & Connection 安装和串接



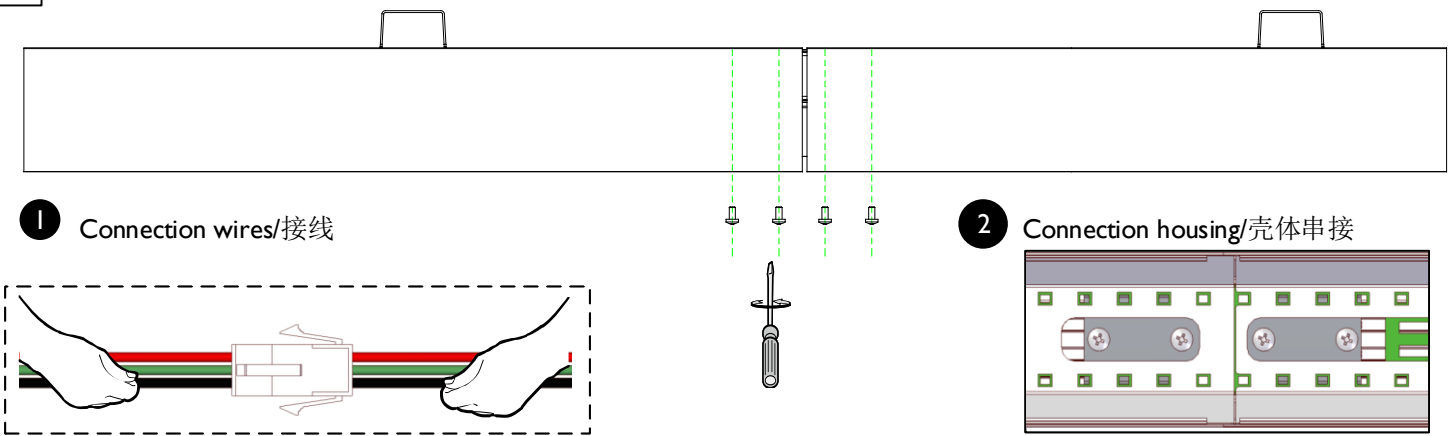
## Continuous Mounting Accessories/ 连续安装附件



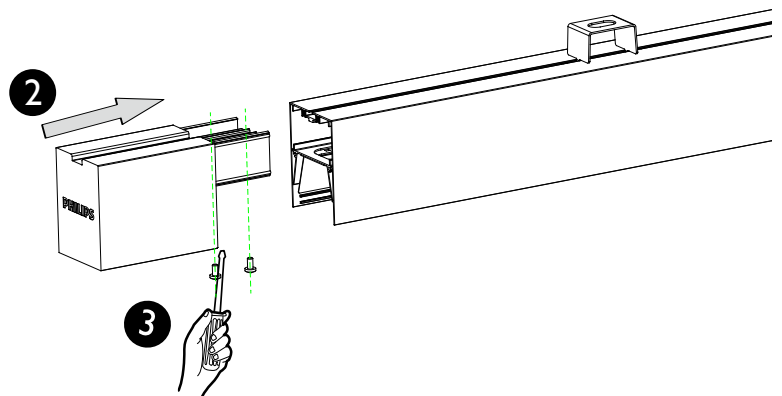
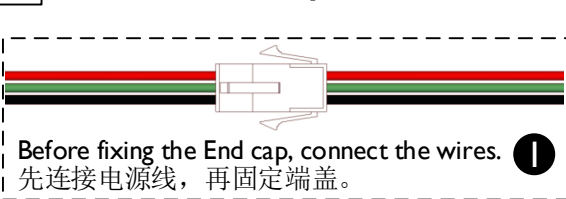
Maximum number of luminaire: 10pcs  
最大串接灯具数量: 10pcs

Torque force for all screws  
全部螺丝锁合扭力  
M4: 0.8~1.2 N.m; M3: 0.4~0.6 N.M

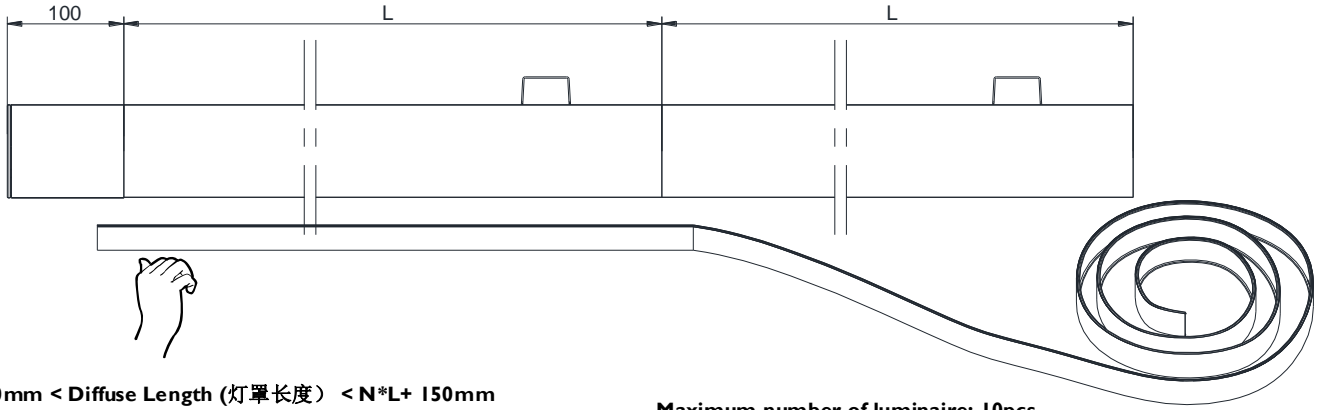
## 2 Luminaires Connection/ 灯具串接



## 3 Install the End cap\_Start/ 安装初始端盖



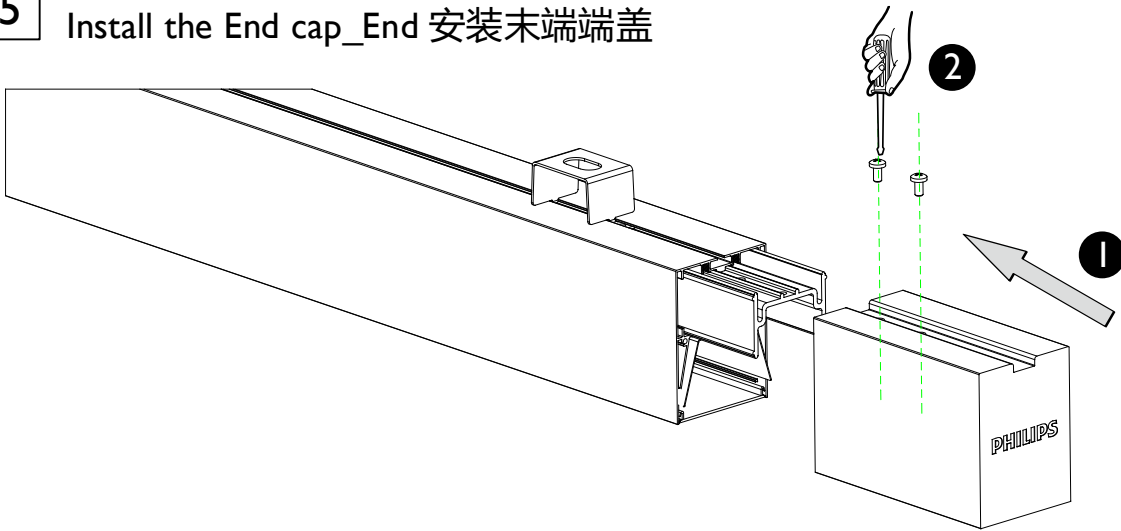
#### 4 Install the diffuser /安装灯罩



$N*L+130\text{mm} < \text{Diffuse Length (灯罩长度)} < N*L+ 150\text{mm}$   
**L:** luminaire Length/灯具长度  
**N:** number of luminaire/串接灯具数量

**Maximum number of luminaire: 10pcs**  
**最大串接灯具数量:10pcs**

#### 5 Install the End cap\_End 安装末端端盖



### Connect entry cable 连接电源线

Please connect the cable to the terminal box (IP20 or above) , then place the terminal box into the ceiling.  
 请使用IP20以上的接线盒,接线完成后将接线盒放置到天花内,不提供接线盒。

Luminaire cable:

60245 IEC53 5x0.75 mm (PSD) / 3x0.75 mm (PSU)

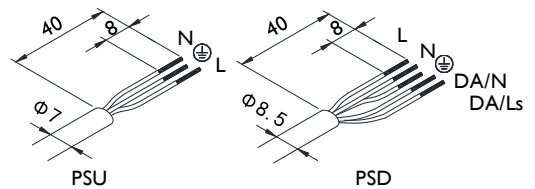
L: Brown;

N: Blue;

: Yellow+Green

DA/N: Red/Gray

DA/Ls: Black



**Remark: Terminal box is not provided. 注意: 接线盒不在此灯具内。**



This marking indicates that this product should not be disposed with other household wastes throughout the EU. To prevent possible harm to the environment or human health from uncontrolled waste disposal, recycle it responsibly to promote the sustainable reuse of material resources. To return your used device, please use the return and collection systems or contact the retailer where the product was purchased. They can take this product for environmental safe recycling.

部件名称	产品中有害物质的名称及含量					
	铅 (Pb)	汞 (Hg)	镉 (Cd)	六价铬 (Cr (VI))	多溴联苯 (PBB)	多溴二苯醚 (PBDE)
LED灯板/光源	○	○	○	○	○	○
驱动器(板), 铜制及电子零部件	×	○	○	○	○	○
透镜光学部件	○	○	○	○	○	○
外壳及其它零部件	○	○	○	○	○	○

本表格依据SJ/T 11364的规定编制  
 ○: 表示该有害物质在该部件所有均质材料中的含量均在GB/T 26572规定的限量要求以下。  
 ×: 表示该有害物质至少在该部件的某一均质材料中的含量超出GB/T 26572规定的限量要求。

Applicable to China Only

Product Type	Run Current (A)(@220V)	Start (Inrush) Current(A) / Ipeak (A)	Start Current Duration ( $\mu$ s) / T(@50% of Ipeak) ( $\mu$ s)	Touch current or protective conductor current (mA)	MCB Type B 16A Max no. fitting (pcs)
SP560P LED6/840 L60W3 PSU	0.03	3.5	300	0.7	48
SP560P LED12/840 L120W3 PSU	0.06	3.5	300	0.7	48
SP560P LED12/840 L60W6 PSU	0.06	3.5	300	0.7	48
SP560P LED12/840 L60W9 PSU	0.06	3.5	300	0.7	48
SP560P LED20/840 L60W6 PSD	0.09	23	220	0.7	22
SP560P LED20/840 L60W6 PSU	0.09	14	250	0.7	33
SP560P LED20/840 L60W9 PSD	0.09	23	220	0.7	22
SP560P LED20/840 L60W9 PSU	0.09	14	250	0.7	33
SP560P LED25/840 L120W6 PSU	0.1	14	220	0.7	36
SP560P LED25/840 L120W9 PSU	0.1	14	220	0.7	36
SP560P LED40/840 L120W6 PSD	0.18	23	220	0.7	22
SP560P LED40/840 L120W6 PSU	0.18	14	220	0.7	36
SP560P LED40/840 L120W9 PSD	0.18	23	220	0.7	22
SP560P LED40/840 L120W9 PSU	0.18	14	220	0.7	36