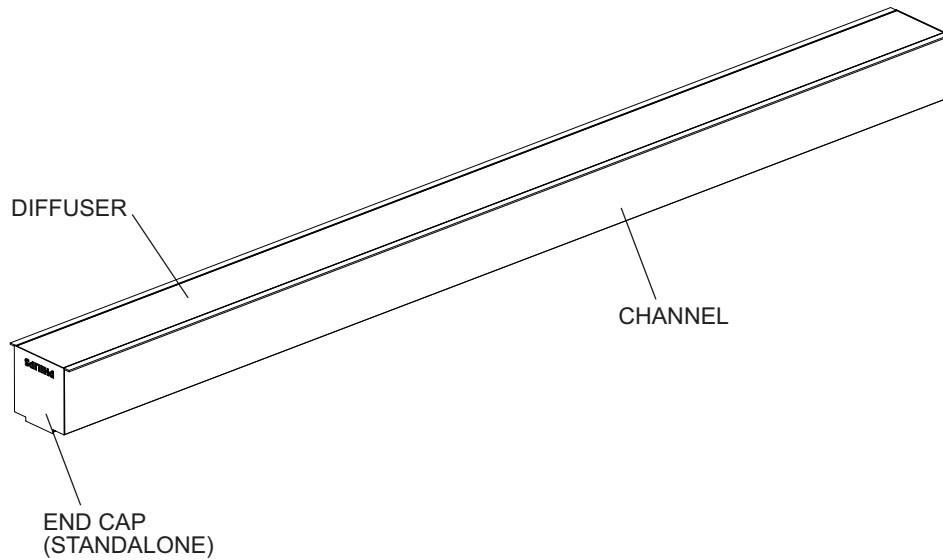


Installation Instructions

PURE LINE SLIM RECESSED

PHILIPS

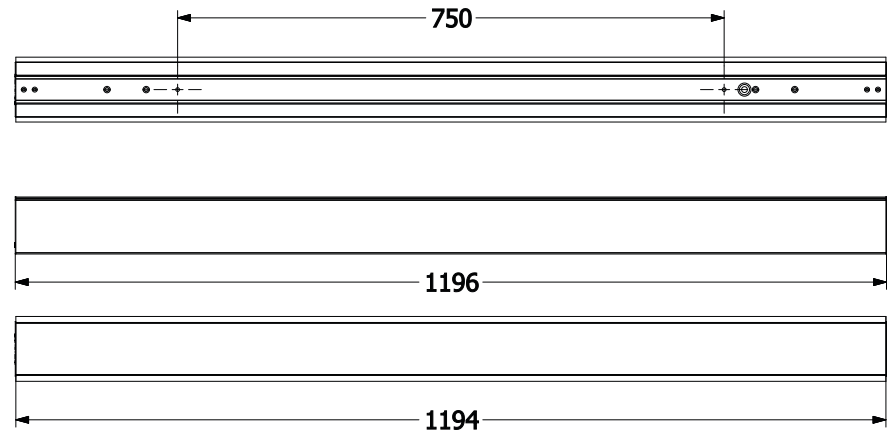
220 240V~	50/60 Hz		IP20		IEC EN60598			
--------------	-------------	--	------	--	----------------	--	--	--



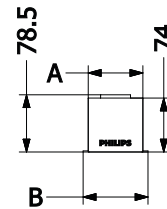
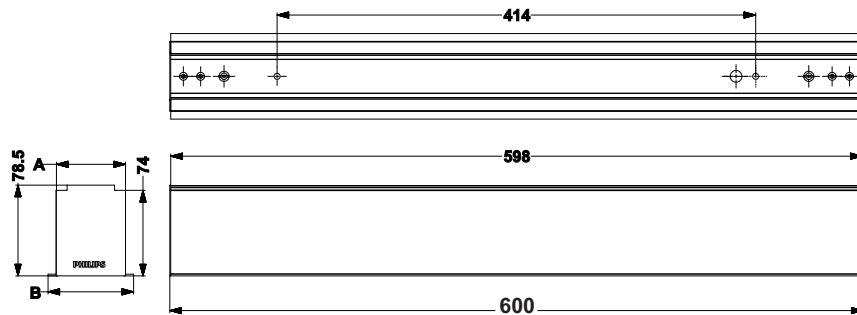
TYPE	A	B	Voltage	Frequency
RC780B LEDxxS L7W60	75	89	220-240V~	50/60Hz
RC780X LEDxxS L7W60				
RC780B LEDxxS L7W120	75	89	220-240V~	50/60Hz
RC780X LEDxxS L7W120				
RC780B LEDxxS L7W240	75	89	220-240V~	50/60Hz
RC780X LEDxxS L7W240				
RC780B LEDxxS L6W60	60	74	220-240V~	50/60Hz
RC780X LEDxxS L6W60				
RC780B LEDxxS L6W120	60	74	220-240V~	50/60Hz
RC780X LEDxxS L6W120				
RC780B LEDxxS L6W240	60	74	220-240V~	50/60Hz
RC780X LEDxxS L6W240				

Note : The type name is only for the reference purpose, actual type name may vary depending on requirements. .

Product Dimensions 4 Feet



Product Dimensions 2 Feet



4415 109 27120

X-> CONTINUOUS
B-> STANDALONE

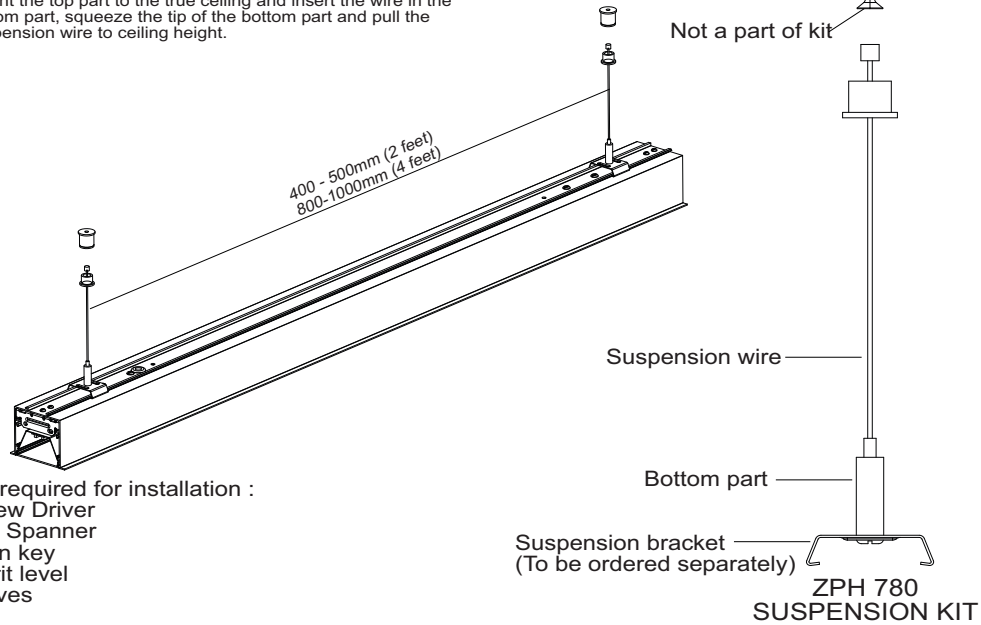
All dimensions in mm



ATTENTION: Install by a qualified electrician and wired in accordance with latest IEE electrical regulations or the national requirements.

Mounting with suspension bracket

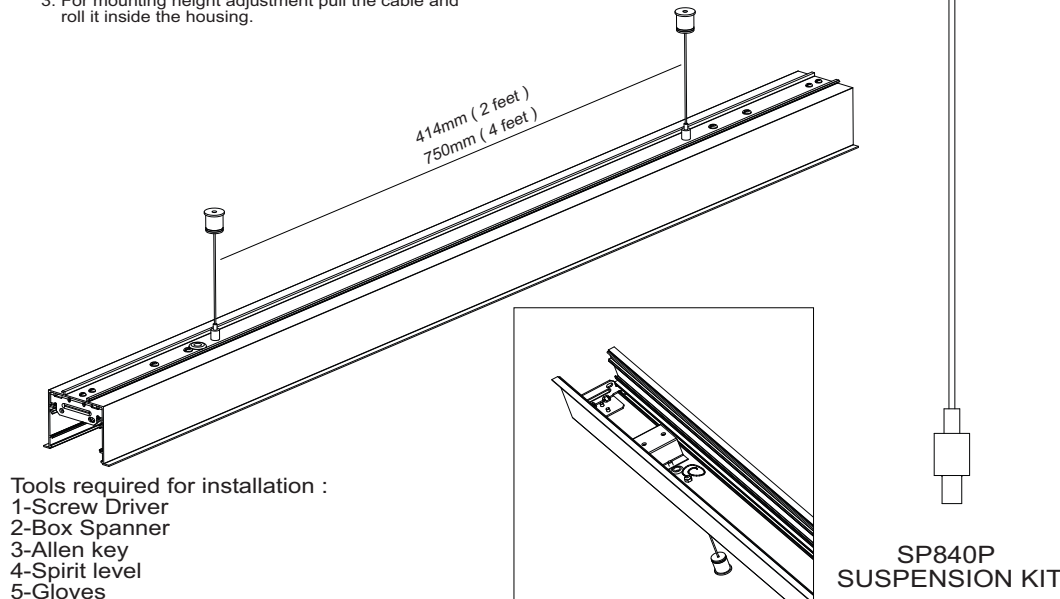
1. Attach the suspension kit bottom part with the suspension bracket and slide it in the groove in the channel.
2. Insert the suspension wire through the bottom part.
3. Mount the top part to the true ceiling and insert the wire in the bottom part, squeeze the tip of the bottom part and pull the suspension wire to ceiling height.



- Tools required for installation :
- 1-Screw Driver
 - 2-Box Spanner
 - 3-Allen key
 - 4-Spirit level
 - 5-Gloves

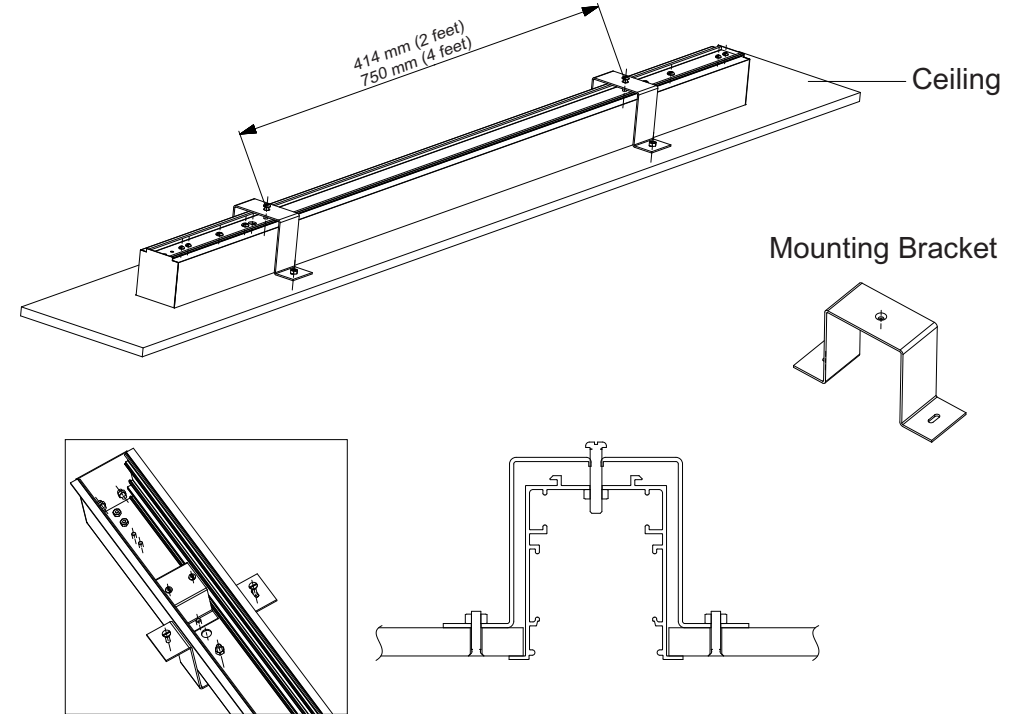
Mounting with channel housing

1. Attach the bottom part to the channel housing with nut.
2. Insert the suspension wire through the bottom part.
3. For mounting height adjustment pull the cable and roll it inside the housing.



- Tools required for installation :
- 1-Screw Driver
 - 2-Box Spanner
 - 3-Allen key
 - 4-Spirit level
 - 5-Gloves

Mounting with Mounting Bracket

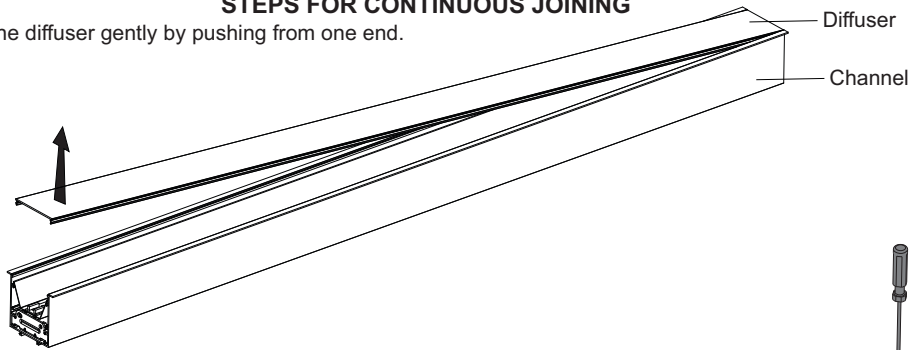


1. Attach the bottom part to the channel housing with the mounting bracket with screw & nut
2. Screw the mounting bracket in the ceiling.(as shown in figure).

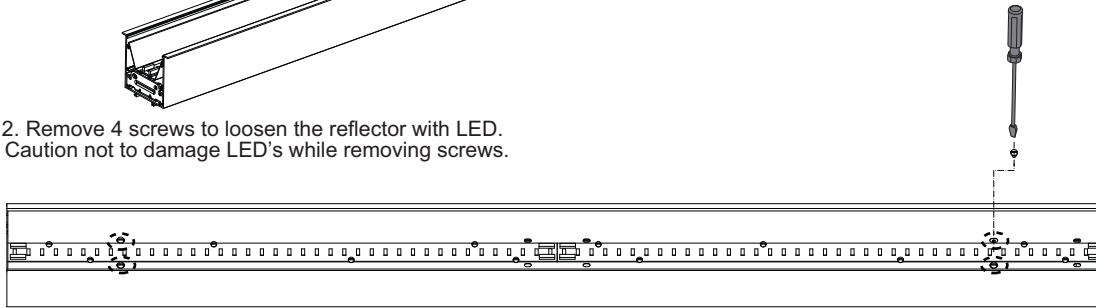
- Tools required for installation :
- 1-Screw Driver
 - 2-Box Spanner
 - 3-Allen key
 - 4-Spirit level
 - 5-Gloves

STEPS FOR CONTINUOUS JOINING

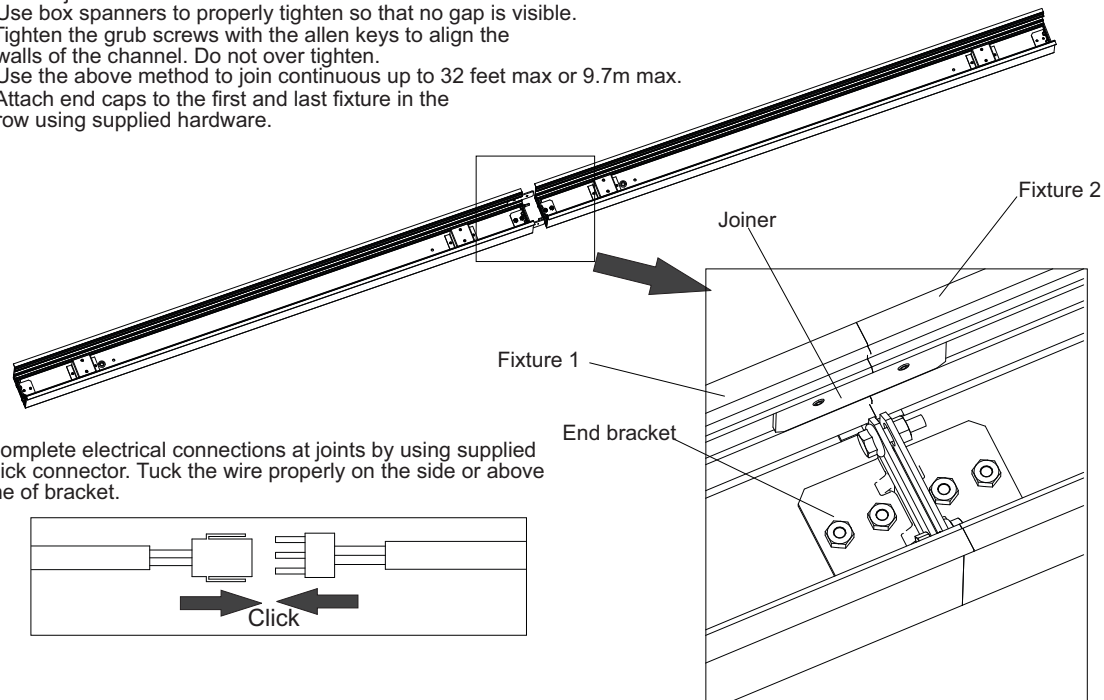
1. Remove the diffuser gently by pushing from one end.



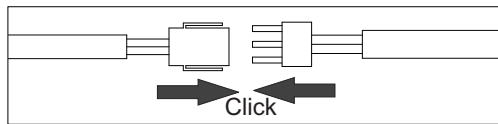
2. Remove 4 screws to loosen the reflector with LED.
Caution not to damage LED's while removing screws.



3. i) Put the two fixtures on a flat plane and insert the joiner from one fixture to the other one to align them straight.
- ii) Tighten the two bolts provided with the fixtures with the nuts to join the end brackets on the fixtures.
Use box spanners to properly tighten so that no gap is visible.
- iii) Tighten the grub screws with the allen keys to align the walls of the channel. Do not over tighten.
- iv) Use the above method to join continuous up to 32 feet max or 9.7m max.
- v) Attach end caps to the first and last fixture in the row using supplied hardware.



4. Complete electrical connections at joints by using supplied click connector. Tuck the wire properly on the side or above the of bracket.



5. Pass the wire harness provided as accessory from the first fixture in the row and complete connection with click connector as above and pass through the grommet.
6. Reconnect all the reflectors with 4 screws each and fix all the diffuser gently back to the fixture.
7. Raise the complete row of fixtures to ceiling with adequate support and at each end of the module.

Caution



1. "The light source of this luminaire is not replaceable; when the light source reaches its end of life the whole luminaire shall be replaced";
- 2 Do not stare at the operating light source.
3. If the external flexible cable or cord of this luminaire is damaged, it shall be exclusively replaced by the manufacturer or his service agent or a similar qualified person in order to avoid a hazard.

Warning

1. The luminaire shall be installed by a qualified electrician and wired in accordance with the latest IEEE electrical regulations or the national requirements
2. Turn power off before inspection, installation or removal.
3. Refer to technical datasheet for additional electrical properties to ensure safe installation.
4. Luminaire installed must not be in contact with combustible materials.
5. Ensure power supply cables (L-N-E) are connected correctly before switching on.
6. Terminal block not included, installation must be performed by a qualified person

Maintenance

1. Ensure power supply is switched off before attempting any maintenance work.

Caution

The Luminaire must be used within the applicable product specifications, installation instructions and environmental conditions for storage & operations according to application guidelines provided by Signify for product Warranty to be valid.