



# MASTERColour CDM-Rm Elite Mini

## MASTERColour CDM-Rm Elite Mini 20W/830 GX10 MR16 10D

Mini, very high-efficiency Ceramic Metal Halide discharge reflector lamp producing crisp white sparkling light with high colour rendering

### Warnings and Safety

- Use only with electronic control gear
- Control gear must include end-of-life protection (IEC61167, IEC 62035)

### Product data

| General Information         |                            |
|-----------------------------|----------------------------|
| Cap base                    | GX10 [ GX10]               |
| Burning Position            | UNIVERSAL [ Any/Universal] |
| Life to 5% failures (nom.)  | 9000 h                     |
| Life to 10% failures (nom.) | 10000 h                    |
| Life to 20% failures (nom.) | 12000 h                    |
| Life to 50% failures (nom.) | 15000 h                    |
| ANSI code HID               | C156/O                     |
| Switching cycle             | 1350X                      |
|                             | Narrow Cone                |
| Light Technical             |                            |
| Colour Code                 | 830 [ CCT of 3,000 K]      |
| Technical Beam Angle (Nom)  | 10 °                       |
| Beam angle technical        | 9 °                        |
| Beam angle technical        | 11 °                       |
| Beam angle technical        | 7 °                        |

|  |          |
|--|----------|
| Lamp Luminous Flux 25°C EL (Nom)       | 880 lm   |
| Lamp Luminous Flux (Min)               | 900 lm   |
| Lamp Luminous Flux (Nom)               | 980 lm   |
| Luminous intensity (min.)              | 10900 cd |
| Luminous intensity (nom.)              | 14500 cd |
| Beam description                       | -        |
| Lumen maintenance 12,000 hours (nom.)  | 75 %     |
| Lumen maintenance 2,000 hours (nom.)   | 90 %     |
| Lumen maintenance 4,000 hours (nom.)   | 85 %     |
| Chromaticity coordinate X (nom.)       | 0.434    |
| Chromaticity coordinate Y (nom.)       | 0.398    |
| Colour Temperature, horizontal (Nom)   | 3000 K   |
| Lamp Luminous Efficacy EM (Nom)        | 49 lm/W  |
| Colour Rendering Index,horiz (Min)     | 81       |
| Colour Rendering Index,horiz (Nom)     | 84       |
| LLMF at end of nominal lifetime (nom.) | 70 %     |

# MASTERCcolour CDM-Rm Elite Mini

|                                   |        |
|-----------------------------------|--------|
| Luminous flux in 90° cone (rated) | 880 lm |
|-----------------------------------|--------|

## Operating and Electrical

|                                  |        |
|----------------------------------|--------|
| Power (Rated) (Nom)              | 20.1 W |
| Re-ignition time (min.) (max.)   | 15 min |
| Warm-up time to 60% light (nom.) | 120 s  |
| Ignition time (max.)             | 30 s   |
| Voltage (Max)                    | 100 V  |
| Voltage (Min)                    | 90 V   |
| Voltage (Nom)                    | 95 V   |

## Controls and Dimming

|                        |       |
|------------------------|-------|
| Dimmable               | No    |
| Run-up time 90% (max.) | 3 min |

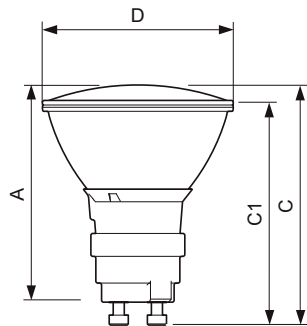
## Mechanical and Housing

|            |                    |
|------------|--------------------|
| Bulb shape | MR16 [ 2inch/50mm] |
|------------|--------------------|

## Approval and Application

|                                    |        |
|------------------------------------|--------|
| Energy Efficiency Class            | G      |
| Mercury (Hg) content (max.)        | 3.5 mg |
| Mercury (Hg) content (nom.)        | 3.5 mg |
| Energy consumption kWh/1,000 hours | 21 kWh |

## Dimensional drawing



CDM-Rm 20W/830 GX10 MR16 10D

|        |
|--------|
| 473266 |
|--------|

## UV

|                           |           |
|---------------------------|-----------|
| PET (NIOSH) (min.)        | 8 h/500lx |
| Damage factor D/fc (max.) | 0.4       |

## Luminaire Design Requirements

|                                   |        |
|-----------------------------------|--------|
| Reflector neck temperature (max.) | 215 °C |
|-----------------------------------|--------|

## Product Data

|                                   |   |
|-----------------------------------|---|
| Full product code                 | 871829120274500                                       |
| Order product name                | MASTERCcolour CDM-Rm Elite Mini 20W/830 GX10 MR16 10D |
| EAN/UPC – product                 | 8718291202745   |
| Order code                        | 928191005331  |
| SAP numerator – quantity per pack | 1   |
| Numerator – packs per outer box   | 12  |
| SAP material                      | 928191005331  |
| SAP net weight (piece)            | 0.047 kg  |
| ILCOS code                        | MRS/UB-20/830-H-GX10-51/54.5/10                       |

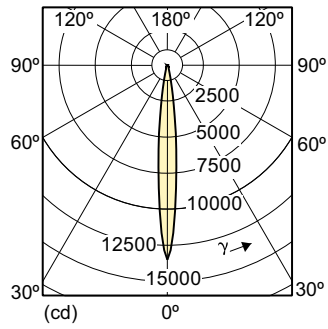
| Product   | D (max) | D     | C (max) | C        | C1 (max) | A (max) |
|---|---------|-------|---------|----------|----------|---------|
| MASTERCcolour CDM-Rm Elite Mini 20W/830 GX10 MR16 10D | 51 mm   | 50 mm | 65.4 mm | 62.75 mm | 60.9 mm  | 59 mm   |

# MASTERCLOUR CDM-Rm Elite Mini

## Photometric data



MASTERCLOUR CDM-R Mini /830



## Lifetime



## MASTERCcolour CDM-Rm Elite Mini

