



# MASTERCcolour CDM-T

## MASTERCcolour CDM-T 250W/830 G12 1CT/12

Range of single-ended, compact, high-efficiency, discharge lamps with a stable colour over lifetime and a crisp, sparkling light

### Warnings and Safety

- Use only in totally enclosed luminaire, even during testing (IEC61167, IEC 62035, IEC60598)
- The luminaire must be able to contain hot lamp parts if the lamp ruptures
- Control gear must include end-of-life protection (IEC61167, IEC 62035)
- Lamps may use electronic or electromagnetic control gear, except 35W/942 and 20W lamps, which must use electronic control gear.
- A lamp breaking is extremely unlikely to have any impact on your health. If a lamp breaks, ventilate the room for 30 minutes and remove the parts, preferably with gloves. Put them in a sealed plastic bag and take it to your local waste facilities for recycling. Do not use a vacuum cleaner.

### Product data

| General information              |                            | Lamp Luminous Flux (Min)              |                 |
|----------------------------------|----------------------------|---------------------------------------|-----------------|
| Cap base                         | G12 [ G12]                 | Lamp Luminous Flux (Nom)              | 24780 lm        |
| Burning Position                 | UNIVERSAL [ Any/Universal] | Colour Designation                    | 27750 lm        |
| Life to 5% failures (nom.)       | 3500 h                     | Lumen maintenance 10,000 hours (nom.) | Warm white (WW) |
| Life to 10% failures (nom.)      | 7000 h                     | Lumen maintenance 2,000 hours (nom.)  | 92 %            |
| Life to 20% failures (nom.)      | 12000 h                    | Lumen maintenance 5,000 hours (nom.)  | 98 %            |
| Life to 50% failures (nom.)      | 15000 h                    | Chromaticity coordinate X (nom.)      | 97 %            |
| ANSI code HID                    | -                          | Chromaticity coordinate Y (nom.)      | 0.434           |
|                                  | Sphere                     | Colour Temperature, horizontal (Nom)  | 0.398           |
|                                  |                            | Lamp Luminous Efficacy EM (Nom)       | 3000 K          |
|                                  |                            | Colour Rendering Index,horiz (Nom)    | 111 lm/W        |
|                                  |                            | Ratio scotopic/photopic lumens        | 85              |
|                                  |                            |                                       | 1.30            |
| Light technical                  |                            |                                       |                 |
| Colour Code                      | 830 [ CCT of 3,000 K]      |                                       |                 |
| Lamp Luminous Flux 25°C EL (Nom) | 27750 lm                   |                                       |                 |

# MASTERColour CDM-T

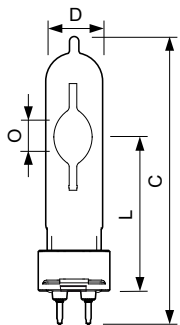
| Operating and electrical       |         |
|--------------------------------|---------|
| Power (Rated) (Nom)            | 250.0 W |
| Lamp current run-up (max.)     | 6 A     |
| Lamp current (EM) (nom.)       | 2.99 A  |
| Ignition supply voltage (max.) | 198 V   |
| Ignition peak voltage (max.)   | 5000 V  |
| Ignition supply voltage (min.) | 198 V   |
| Ignition peak voltage (min.)   | 3500 V  |
| Re-ignition time (min.) (max.) | 15 min  |
| Ignition time (max.)           | 30 s    |
| Voltage (Max)                  | 103 V   |
| Voltage (Min)                  | 87 V    |
| Voltage (Nom)                  | 95 V    |

| Controls and dimming   |       |
|------------------------|-------|
| Dimmable               | No    |
| Run-up time 90% (max.) | 3 min |

| Mechanical and housing |               |
|------------------------|---------------|
| Lamp Finish            | Clear         |
| Bulb shape             | T24 [ T 24mm] |

| Approval and application           |         |
|------------------------------------|---------|
| Energy Efficiency Class            | F       |
| Mercury (Hg) content (max.)        | 27.5 mg |
| Mercury (Hg) content (nom.)        | 27.5 mg |
| Energy consumption kWh/1,000 hours | 250 kWh |

## Dimensional drawing



MASTERColour CDM-T 250W/830 G12 1CT/12

|        |
|--------|
| 473350 |
|--------|

| UV                        |           |
|---------------------------|-----------|
| PET (NIOSH) (min.)        | 8 h/500lx |
| Damage factor D/fc (nom.) | 0.15      |

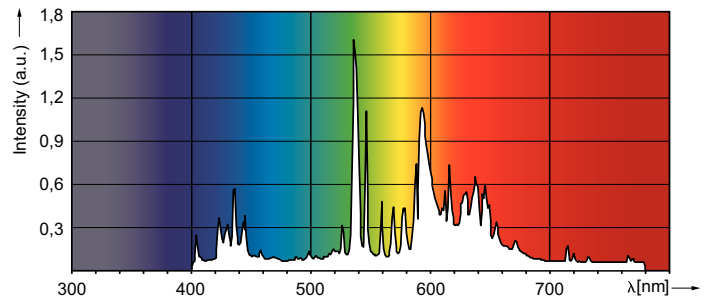
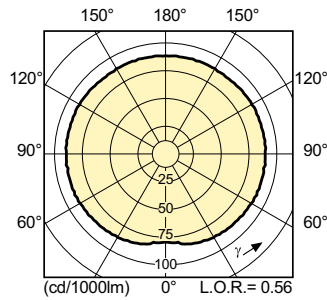
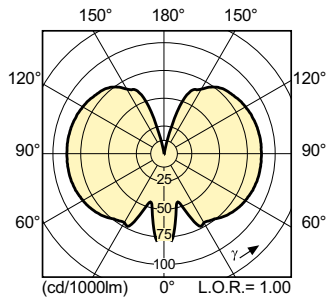
| Luminaire design requirements              |        |
|--|--------|
| Bulb temperature (max.)                    | 700 °C |
| Cap-base temperature (max.)                | 280 °C |
| Cap-Base Temperature (Max)-DUP(do not use) | 536 °F |
| Pinch temperature (max.)                   | 350 °C |
| Pinch Temperature (Max)-DUP(do not use)    | 350 °C |

| Product data                      |  |
|-----------------------------------|--|
| Full product code                 | 871150020801915                        |
| Order product name                | MASTERColour CDM-T 250W/830 G12 1CT/12 |
| EAN/UPC – product                 | 8711500208019                          |
| Order code                        | 928089805131                           |
| SAP numerator – quantity per pack | 1                                      |
| Local code description            | 8348312                                |
| Numerator – packs per outer box   | 12                                     |
| SAP material                      | 928089805131                           |
| Net Weight (Piece)                | 0.039 kg                               |
| ILCOS code                        | MT/UB-250/830-H-G12-25/135             |

| Product                                | D (max) | O       | L (min) | L (max) | L       | C (max) |
|--|---------|---------|---------|---------|---------|---------|
| MASTERColour CDM-T 250W/830 G12 1CT/12 | 25 mm   | 12.3 mm | 71.5 mm | 73.5 mm | 72.5 mm | 135 mm  |

# MASTERCoulour CDM-T

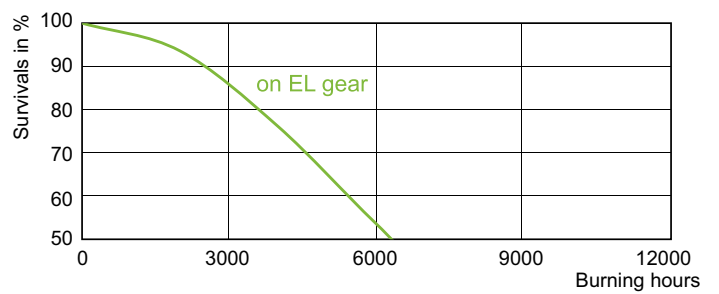
## Photometric data



LDLD\_CDM-T\_0007-Light distribution diagram

LDPO\_CDM-T\_250W\_830-Spectral power distribution Colour

## Lifetime



LDLE\_CDM-T\_250W\_830-Life expectancy diagram

