



# MASTERColour CDM-TD

## MASTERC CDM-TD 150W/942 RX7s 1CT

Range of double-ended, compact, high-efficiency, discharge lamps with a stable colour over lifetime and a crisp, sparkling light

### Warnings and Safety

- Use only in totally enclosed luminaire, even during testing (IEC61167, IEC 62035, IEC60598)
- Use only in totally enclosed luminaire, even during testing (IEC61167, IEC 62035, IEC60598)
- The luminaire must be able to contain hot lamp parts if the lamp ruptures
- The luminaire must be able to contain hot lamp parts if the lamp ruptures
- Lamps may use electronic or electromagnetic control gear
- Lamps may use electronic or electromagnetic control gear
- Control gear must include end-of-life protection (IEC61167, IEC 62035)
- Control gear must include end-of-life protection (IEC61167, IEC 62035)
- A lamp breaking is extremely unlikely to have any impact on your health. If a lamp breaks, ventilate the room for 30 minutes and remove the parts, preferably with gloves. Put them in a sealed plastic bag and take it to your local waste facilities for recycling. Do not use a vacuum cleaner.
- A lamp breaking is extremely unlikely to have any impact on your health. If a lamp breaks, ventilate the room for 30 minutes and remove the parts, preferably with gloves. Put them in a sealed plastic bag and take it to your local waste facilities for recycling. Do not use a vacuum cleaner.

### Product data

<b>Operating and Electrical</b>		<b>Operating Position</b>		P45 [Parallel +/-45D or Horizontal(HOR)]
Power Consumption	152.0 W	Flux measurement reference	Sphere	
Voltage (Nom)	103 V	<b>Light Technical</b>		
Voltage (Nom)	103 V	Color Code	942 [CCT of 4200K]	
<b>General Information</b>		Luminous Flux	13,650 lumen	
Cap-Base	RX7S [RX7s]	Color Designation	Cool White (CW)	

# MASTERC colour CDM-TD

Chromaticity Coordinate X (Nom)	0.371
Chromaticity Coordinate Y (Nom)	0.366
Correlated Color Temperature (Nom)	4200 K
Luminous Efficacy (rated) (Nom)	90 lm/W
Color rendering index (CRI)	96

## Controls and Dimming

Dimmable	No
----------	----

## Mechanical and Housing

Bulb Finish	Clear
Bulb Shape	T22 [T 22mm]

## Approval and Application

Mercury (Hg) Content (Max)	8.3 mg
----------------------------	--------

Mercury (Hg) Content (Nom)	8.29 mg
Energy Consumption kWh/1000 h	152 kWh
EPREL Registration Number	473,340

## Product Data

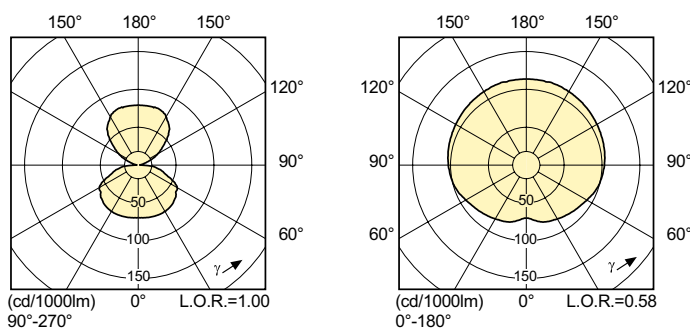
Full product code	871150020025915
Order product name	MASTERC CDM-TD 150W/942 RX7s 1CT
Order code	928084805133
Numerator - Quantity Per Pack	1
Numerator - Packs per outer box	12
Material number (12NC)	928084805133
Full product name	MASTERC CDM-TD 150W/942 RX7s 1CT
EAN/UPC - Case	8711500200266

## Dimensional drawing



Product	D (max)	D O	C (max)
MASTERC CDM-TD 150W/942 RX7s 1CT	22 mm	10 mm	137.43 mm

## Photometric data

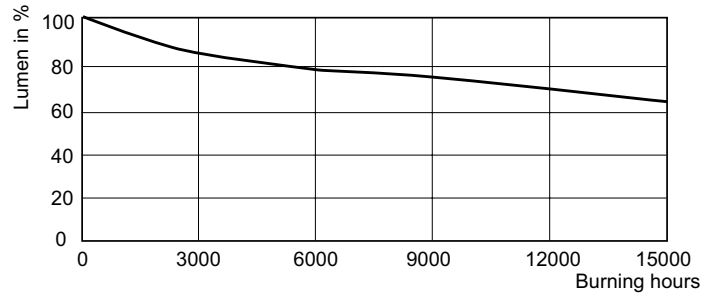


Light Distribution Diagram - MASTERC CDM-TD 150W/942 RX7s 1CT

Spectral Power Distribution Colour - MASTERC CDM-TD 150W/942 RX7s 1CT

# MASTERC colour CDM-TD

## Lifetime



Life Expectancy Diagram - MASTERC CDM-TD 150W/942 RX7s 1CT

Lumen Maintenance Diagram - MASTERC CDM-TD 150W/942 RX7s 1CT

