



# TUV T5

## TUV 36T5 SP NO/32

TUV T5 lamps are single- or double-ended UVC (germicidal) lamps used in professional water and air disinfection units. The small 16 mm diameter of the lamp allows for a small system design and design flexibility. TUV T5 lamps offer constant UV output over their complete lifetime, for maximum security of disinfection and high system efficacy.

### Warnings and Safety

- A lamp breaking is extremely unlikely to have any impact on your health. If a lamp breaks, ventilate the room for 30 minutes and remove the parts, preferably with gloves. Put them in a sealed plastic bag and take it to your local waste facilities for recycling. Do not use a vacuum cleaner.
- DANGER: Risk Group 3 Ultra Violet product. These lamps emit high-power UV radiation that can cause severe injury to skin and eyes. Avoid eye and skin exposure to unshielded product. Use only in an enclosed environment which shields users from the radiation.

### Product data

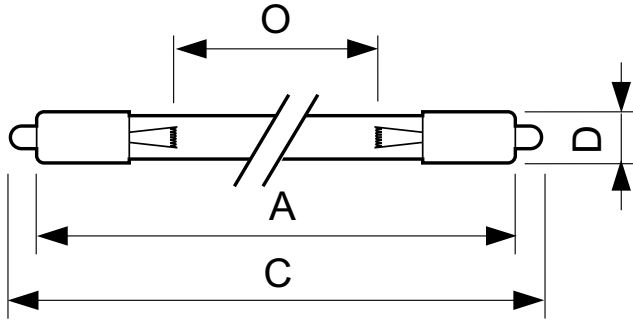
General Information		Voltage (Nom)	
Cap base	SINGLEPIN [ Single Pin]	97 V	
Main application	Disinfection	Mechanical and Housing	
Useful life (nom.)	9000 h	Cap-base information	Single Pin
System description	High Efficiency	Bulb shape	T16
Light Technical		Approval and Application	
Colour Code	TUV	Mercury (Hg) content (nom.)	3.0 mg
Colour Designation	- [ Not Specified]	UV	
Depreciation at useful lifetime	15 %	UV-C Radiation	14 W
Operating and Electrical		Product Data	
Power (Rated) (Nom)	40 W	Full product code	871150064036999
Lamp current (nom.)	0.425 A		

# TUV T5

Order product name	TUV 36T5 SP NO/32
EAN/UPC – product	8711500640369
Order code	927970004099
SAP numerator – quantity per pack	1
Numerator – packs per outer box	32

SAP material	927970004099
SAP net weight (piece)	87.000 g

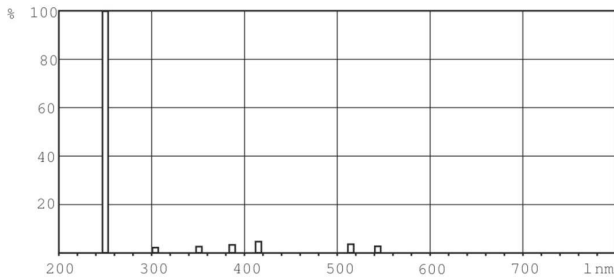
## Dimensional drawing



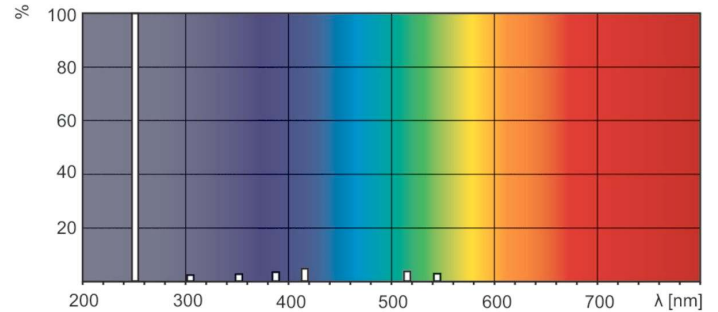
TUV 36T5 SP NO/32

Product	D (max)	O	C (max)	A (max)
TUV 36T5 SP NO/32	18.6 mm	762 mm	863.9 mm	845.4 mm

## Photometric data



XDPB\_XUTUV-Spectral power distribution B/W



XDPO\_XUTUV-Spectral power distribution Colour

