



Essential MV MR16 Alu

ESS MR16 Alu 50W GU10 230V 36D 1CT

The Essential MV MR16 Alu is part of the Philips "Value for Money" ranges. It is ideal for professional end-users looking for accent light - without a transformer - to create contrast in shops, hotels and restaurants.

Product data

General Information	
Cap base	GU10 [GU10]
Burning Position	UNIVERSAL [Any/Universal]
Nominal lifetime (nom.)	2000 h
Switching cycle	8,000X
Rated Lifetime	2000 h

Light Technical	
Technical Beam Angle (Nom)	36 °
Luminous intensity (max.)	600 cd
Colour Temperature, horizontal (Nom)	2800 K
Colour Rendering Index,horiz (Nom)	100

Operating and Electrical	
Power (Rated) (Nom)	50 W
Starting time (nom.)	0.0 s
Voltage (Nom)	230 V

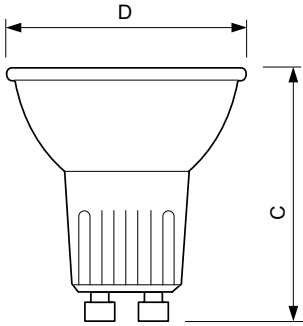
Controls and Dimming	
Dimmable	Yes

Mechanical and Housing	
Lamp Finish	Clear
Bulb shape	MR16 [2inch/50mm]

Product Data	
Full product code	871829119517700
Order product name	ESS MR16 Alu 50W GU10 230V 36D 1CT
EAN/UPC – product	8718291195177
Order code	925644344203
SAP numerator – quantity per pack	1
Numerator – packs per outer box	50
SAP material	925644344203
SAP net weight (piece)	0.042 kg
ILCOS code	HAGS-50-230-GU10-51/40

Essential MV MR16 Alu

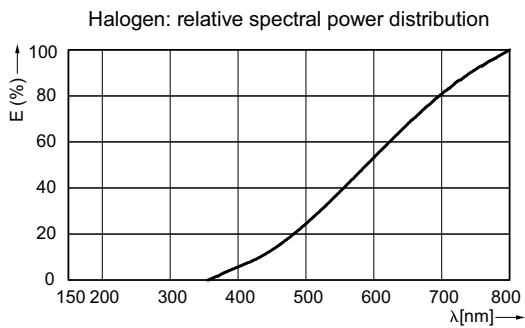
Dimensional drawing



TWIST Alu 50W GU10 230V 36D CL

Product	D (max)	C (max)
ESS MR16 Alu 50W GU10 230V 36D ICT	51 mm	51 mm

Photometric data



Consumer Lamps, Halogen, Spectral power distribution

