



EB-Certalume for PLT/C lamps

EB-C 118 PL-T/C 220-240V 50/60Hz

Affordable, reliable, high frequency electronic ballast for 4-pin PL-T and PL-C fluorescent lamps, ideal alternative for electromagnetic (EM) ballasts

Product data

General information	
Type version	mk1
Lamp type	PL-T/C
Number of lamps	1 piece/unit
Number of products on MCB (16 A type B) (nom.)	20
Automatic restart	No

Operating and electrical	
Input Voltage	220 to 240 V
Input frequency	50 to 60 Hz
Operating frequency (nom.)	20-40 kHz
Crest factor (nom.)	1.9
Power factor 100% load (nom.)	0.95
Mains voltage safety (AC)	-10%~+10%
Earth leakage current (nom.)	0.5 mA

Wiring	
Connector type input terminals	250 manual connector [Suitable for manual wiring and easy release button]
Cable capacity output wires mutual (max.)	120 pF
Colour input terminals	Orange

Colour output terminals	Grey
Connector type output terminals	250 manual connector [Suitable for manual wiring and easy release button]
Cable length hot-wiring	0.75 m
Wire strip length	9.0-10.0 mm
Dual fixture master/slave	Not advisable [Master/Slave operation not advised]
Input terminal cross section	0.50-1.50 mm ²
Output terminal cross section	0.50-1.50 mm ²
Cable capacity output wires to earth (max.)	120 pF

System characteristics	
Rated ballast-lamp power	18 W
System power on PL-T/C	18.0 W
Power loss on PL-T/C	2.0 W
Lamp power on PL-T/C	16.0 W

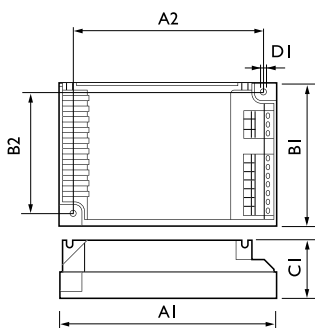
Temperature	
T-case lifetime (nom.)	65 °C
T-case lifetime (nom.)	65 °C
T-Case maximum (max.)	65 °C

EB-Certalume for PLT/C lamps

Mechanical and housing	
Housing	- [Not Specified]
Emergency operation	
Battery voltage lamp ignition	165-253 V
Approval and application	
Energy efficiency index	A2
IP classification	IP 20 [Ingress Protection 20]
Overvoltage protection 276 VAC	48 h
EMI 9 kHz ... 30 MHz	EN55015
Vibration standard	IEC68-2-6 F c
Bumps standard	IEC 68-2-29 Eb
Humidity standard	IEC 61347-2-3

Approval marks	CCC certificate CB Certificate
Product data	
Full product code	872790083288400
Order product name	EB-C 118 PL-T/C 220-240V 50/60Hz
EAN/UPC – product	8711500997746
Order code	913713198614
SAP numerator – quantity per pack	1
Numerator – packs per outer box	24
SAP material	913713198614
Net Weight (Piece)	0.101 kg

Dimensional drawing



EB-C 118 PL-T/C 220-240V 50/60Hz

Product	D1	C1	A1	A2	B1
EB-C 118 PL-T/C 220-240V 50/60Hz	4.2 mm	31.0 mm	94.0 mm	86.0 mm	72.0 mm

