



Electronic transformers

ET-E 30 220-240V

A high frequency electronic transformer for operation with 12V halogen lamps. It is fully IEC compliant with unique compact size and light weight

Warnings and Safety

- Transformer is not suitable for DC operation

Product data

General information	
Number of products on MCB (16 A type B) (max.)	50
Automatic restart	No
Operating and electrical	
Input Voltage	220 to 240 V
Input frequency	50 to 60 Hz
Operating frequency (nom.)	45-66 kHz
Power factor 100% load (nom.)	0.9
Mains voltage performance (AC)	202...254V
Mains voltage safety (AC)	198...264V
Inrush current width	0.28 ms
Power losses (nom.)	6 W
Inrush current peak (max.)	10 A
Output voltage	11.3 V
Wiring	
Connector type input terminals	cable
Cable capacity wires device to lamp (max.)	0.12 nF
Colour input terminals	BLK & WHT

Colour output terminals	Red
Connector type output terminals	cable
Cable length from device to lamp	1.5 m
Wire strip length	8.0-9.0 mm

System characteristics	
Rated ballast-lamp power	30 W

Temperature	
T-ambient (max.)	50 °C
T-ambient (min.)	-20 °C
T storage (max.)	50 °C
T storage (min.)	-40 °C
T-Case maximum (max.)	65 °C

Approval and application	
Approval marks	SELV
Humming and noise level	< 30 dB(A)

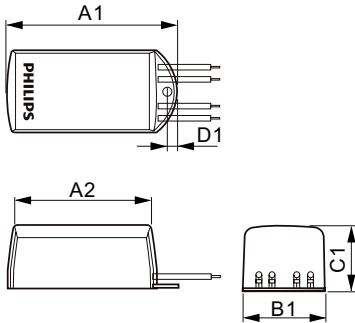
Electronic transformers

Product data

Full product code	694793917165100
Order product name	ET-E 30 220-240V
EAN/UPC – product	6947939171651
Order code	913710032964
SAP numerator – quantity per pack	1

Numerator – packs per outer box	48
SAP material	913710032964
Net Weight (Piece)	0.050 kg

Dimensional drawing



ET-E 30 220-240V

Product	D1	C1	A1	B1	A2
ET-E 30 220-240V	4.4 mm	24.5 mm	76 mm	38 mm	72 mm

