

# Electronic transformers

## ET-E 10 220-240V

A high frequency electronic transformer for operation with 12V halogen lamps. It is fully IEC compliant with unique compact size and light weight

### Warnings and Safety

- Transformer is not suitable for DC operation

### Product data

General information	
Type version	-
Lamp type	-
Automatic restart	Yes

Operating and electrical	
Input Voltage	220 to 240 V
Input frequency	50 to 60 Hz
Power factor 100% load (nom.)	0.94
Mains voltage performance (AC)	202...254V
Mains voltage safety (AC)	198...264V
Inrush current width	0.10 ms
Power losses (nom.)	1 W
Inrush current peak (max.)	15 A
Output voltage	- V

Wiring	
Cable capacity wires device to lamp (max.)	120 nF
Cable length from device to lamp	1.5 m

Wire strip length	8.0-9.0 mm
-------------------	------------

System characteristics	
Rated ballast-lamp power	10 W

Temperature	
T-ambient (max.)	50 °C
T-ambient (min.)	-20 °C
T-storage (max.)	50 °C
T-storage (min.)	-40 °C
T-Case maximum (max.)	65 °C

Approval and application	
Humming and noise level	< 30 dB(A)

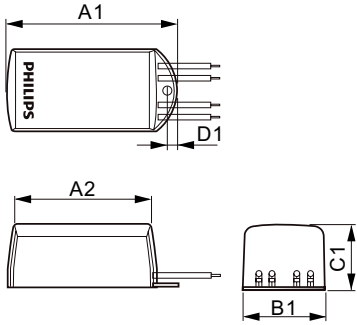
Product data	
Full product code	697013372907600
Order product name	ET-E 10 220-240V
EAN/UPC – product	6970133729076

## Electronic transformers

Order code	913710032179
SAP numerator – quantity per pack	1
Numerator – packs per outer box	48
SAP material	913710032179

Net Weight (Piece)	0.040 kg
--------------------	----------

### Dimensional drawing



ET-E 10 220-240V

Product	D1	C1	A1	B1
ET-E 10 220-240V	4.4 mm	24.5 mm	76.0 mm	38.0 mm

