



Dynalite Sensors

DUS804CS-UP

Surface mount ceiling sensor with ultrasonic capability

Surface mount ceiling sensor with ultrasonic capability

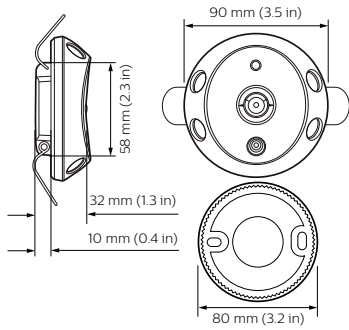
Product data

General information	
CE mark	CE mark
Type description – long text	Surface mount ceiling sensor with ultrasonic capability
Remarks	Please download the Lighting - Product Data Sheet for more information and ordering options
EU RoHS compliant	Yes
Application conditions	
Ambient temperature range	0 to +45 °C

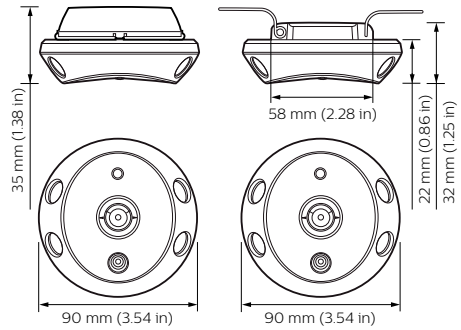
Product data	
Full product code	871016352202900
Order product name	DUS804CS-UP
EAN/UPC – product	8710163522029
Order code	913703070409
SAP numerator – quantity per pack	1
Numerator – packs per outer box	1
SAP material	913703070409
Net Weight (Piece)	83.500 g

Dynalite Sensors

Dimensional drawing



DUS804CS-UP



DUS804CS-UP

