



HF-Regulator II for PL-T/C

HF-R 2 26-42 PL-T/C EII 220-240V 50/60Hz

Compact, lightweight High-Frequency electronic regulating ballast for PL-T and PL-C compact fluorescent lamps

Product data

General Information	
Number of Lamps	2 piece/unit
Operating and Electrical	
Input Voltage	220 to 240 V
Line Frequency	50 to 60 Hz
Input Frequency	50 to 60 Hz
Earth Leakage Current (Max)	0.5 mA
Inrush Current Width	0.35 ms
Inrush Current Peak (Max)	45 A
Number of Products on MCB (16A Type B) (Nom)	12
Wiring	
Connector Type Input Terminals	Insert
Connector Type Output Terminals	Insert
Temperature	
Ambient temperature range	-20 °C to 50 °C
T-Case Lifetime (Nom)	65 °C
T-Case Maximum (Max)	75 °C

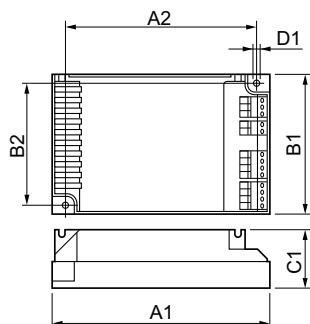
Controls and Dimming	
Control Interface	1-10V
Mechanical and Housing	
Housing	S 123x79x33
Approval and Application	
Ingress protection code	IP20 [Finger-protected]
Energy Efficiency Index	A1 BAT
Safety Standard	IEC 61347-2-3
Environmental Standard	ISO 14001
Approval Marks	CE marking ENEC certificate VDE-EMV certificate
Product Data	
Full product code	872790080972500
Order product name	HF-R 2 26-42 PL-T/C EII 220-240V 50/60Hz
Order code	913700626566
Numerator - Quantity Per Pack	1
Numerator - Packs per outer box	12
Material number (12NC)	913700626566

HF-Regulator II for PL-T/C

Full product name	HF-R 2 26-42 PL-T/C EII 220-240V 50/60Hz
EAN/UPC - Case	8727900809725



Dimensional drawing



Product	D1	C1	A1	A2	B1	B2
HF-R 2 26-42 PL-T/C EII 220-240V 50/60Hz	4.5 mm	33.0 mm	123.0 mm	111.0 mm	79.0 mm	67.0 mm

