



# Essential SmartBright LED Downlight G2

## DN027C LED15/NW D200

Essential SmartBright G2 LED Downlight is value for money product with high efficacy, good quality and reliability. It offers multiple configurations from 300lm to 2000lm output, to replace conventional downlight. It can be used for shopping mall, retail store, residential and office. It's an ideal product family to distribute in trade market.

### Product data

General Information	
Lamp colour code	3000/4000/6500
Light source replaceable	No
Luminaire light beam spread	110°
Protection class IEC	Safety class II (II)

Operating and Electrical	
Input Voltage	220 to 240 V V
Input frequency	50 or 60 Hz
Power factor (min.)	0.8

Mechanical and Housing	
Housing material	Plastic
Reflector material	Polycarbonate
Overall length	200 mm
Overall width	115 mm
Overall height	40 mm
Overall diameter	200 mm
Colour	White

Dimensions (height x width x depth)	40 x 115 x 200 mm (1.6 x 4.5 x 7.9 in)
-------------------------------------	--

Approval and Application	
Ingress protection code	IP20 [ Finger-protected]
Mech. impact protection code	IK02 [ 0.2 J standard]

Initial Performance (IEC Compliant)	
Initial luminous flux (system flux)	1500 lm
Lamp colour temperature	4000 K
Colour Rendering Index	80
Initial input power	18 W

Application Conditions	
Ambient temperature range	-20 to +40 °C

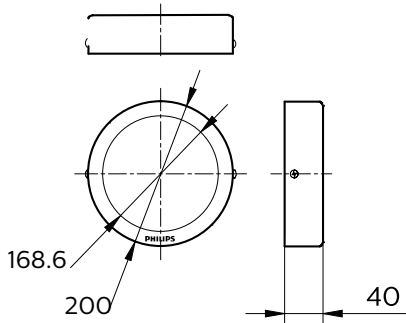
Product Data	
Full product code	871016330929399
Order product name	DN027C LED15/NW D200
EAN/UPC – product	8710163309293
Order code	911401816397

# Essential SmartBright LED Downlight G2

SAP numerator – quantity per pack	1
Numerator – packs per outer box	24
SAP material	911401816397
SAP net weight (piece)	0.570 kg

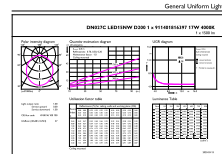
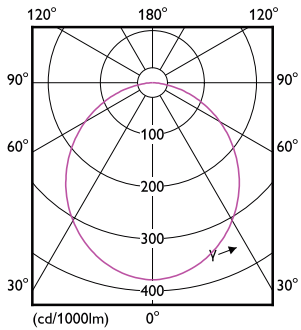


## Dimensional drawing



DN027B

## Photometric data



General Lighting Fixture  
 DN027C LED15 NW D200  
 Philips Lighting B.V.  
 Copyright © 2020 Philips Lighting B.V.

Downlight DN027C LED15 NW D200

Downlight DN027C LED15 NW D200

