

UNIUrban

ZSP461 Screw-thread 60mm

Accessory - UNIUrban

UNIUrban is ideal for the urban lighting across the pavements, parks, gardens, residential areas and shopping centre areas. Its exquisite, stylish yet classic design is not only suitable for modern cities but also for historical architecture.

Product data

General information	
CE mark	-
Material	Steel
Colour	Dark Grey

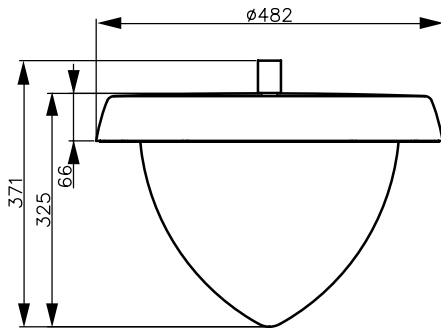
Mechanical and housing	
Overall height	70 mm
Overall diameter	27 mm
Dimensions (height x width x depth)	70 x NaN x NaN mm (2.8 x NaN x NaN in)

Approval and application	
Ingress protection code	- [-]
Mech. impact protection code	IK08 [5 J vandal-protected]

Product data	
Full product code	911401727802
Order product name	ZSP461 Screw-thread 60mm
Order code	911401727802
SAP numerator – quantity per pack	1
Numerator – packs per outer box	20
SAP material	911401727802
Net Weight (Piece)	0.099 kg



Dimensional drawing



ZSP461 Screw-thread 60mm

