



Sophisticated yet simple energy-efficient lighting control solutions

Dynalite LED PWM Controllers

Capable of directly driving LED fittings, the Dynalite LED Dimmers use Pulse Width Modulation (PWM) technology to great effect. Perfectly suited to Red, Green, Blue (RGB) color changing applications, chase sequencing or provision of elegant scene settings. The Dynalite LED drivers come in a range of configurations to meet the compatibility requirements of many of the available LED fittings. Each device is ready to receive native DMX allowing them to be used in color mixing or chase sequence applications.

Benefits

- Directly drive LED fittings with pulse width modulation technology

Application

- Retail and Hospitality, Office and Industry
- Public spaces, Stadiums and multi-purpose Event Centers
- Residential

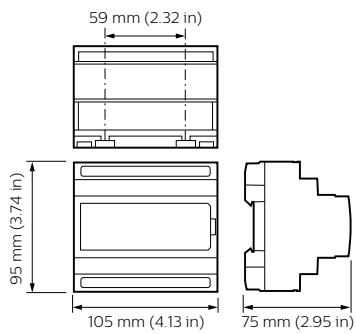
Dynalite LED PWM Controllers

Versions



DDLEDC605-GL

Dimensional drawing



Product details

Detail photo of the DDLEDC605-GL



Dynalite LED PWM Controllers

