



An energy-efficient solution

HF-Performer III for PL-T/C lamps

HF-Performer III PL-T/C is a sustainable, slim and high-frequency electronic ballast for PL-T and PL-C fluorescent lamps. It is ideal for applications where high energy efficiency is required. The HF-Performer III range has a robust design, meets all relevant international safety and performance standards and is energy efficient (CELMA EEI A2).

Benefits

- Robust design that meets all relevant international safety and performance standards, in combination with good energy efficiency
- Automatic restart (after voltage dip or lamp exchange) ensures easy operation and hassle-free re-lamping.
- Suitable for DC emergency operation, 186 to 275 V (at -10 °C) and in line with IEC/EN 60598-2-22 luminaire norms

Features

- 50,000-hour lifetime at maximum case temperature, combined with over 60,000 on/off switches on one lamp
- Programmed, flicker-free, pre-heated start (< 2.0 s) which allows the lamp to be switched on and off without reducing useful lamp life
- Active power factor correction to ensure constant light, irrespective of mains-voltage fluctuations
- The unit is protected against excessive mains voltage and incorrect connections.

HF-Performer III for PL-T/C lamps

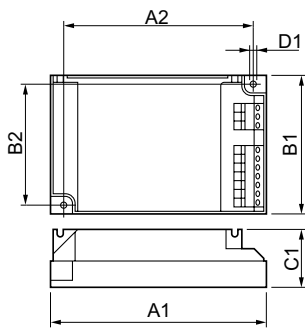
Application

- Ideal for commercial indoor lighting applications where it is necessary to reduce the wattage per square meter or operating costs
- Used with movement-detection control systems like Philips OccuPlus
- Mainly for indoor applications such as spotlights, downlights and recessed fixtures used primarily in retail stores, office buildings, supermarkets, hotels and convenience stores
- Industrial premises with long operating hours

Versions



Dimensional drawing



| Product | D1 | C1 | A1 | A2 | B1 | B2 |
|-----------------------------------|--------|---------|----------|---------|---------|---------|
| HF-P 1/218 PL-T/C III 220-240V | 4.2 mm | 30.0 mm | 103.8 mm | 93.5 mm | 67.8 mm | 57.5 mm |
| HF-P 1/226 PL-T/C III 220-240V | 4.2 mm | 30.0 mm | 103.8 mm | 93.5 mm | 67.8 mm | 57.5 mm |

Operating and Electrical

| | |
|-----------------|--------------|
| Input Frequency | 50 to 60 Hz |
| Input Voltage | 220 to 240 V |

General Information

| | |
|---|--------------|
| Number Of Products On MCB (16A Type B) (Nom) | 28 |
| Number Of Lamps | 2 piece/unit |
| Lamp Type | PL-T/C |

Mechanical and Housing

| | |
|---------|-------------|
| Housing | S 103x67x30 |
|---------|-------------|

Approval and Application

HF-Performer III for PL-T/C lamps

| Order Code | Full Product Name | Energy Efficiency Index |
|--------------|--------------------------------|-------------------------|
| 913700648666 | HF-P 1/218 PL-T/C III 220-240V | A2 BAT |

| Order Code | Full Product Name | Energy Efficiency Index |
|--------------|--------------------------------|-------------------------|
| 913700648866 | HF-P 1/226 PL-T/C III 220-240V | A2/A2BAT |

System characteristics

| Order Code | Full Product Name | Lamp Power On PL-T/C | Rated Ballast- Lamp Power |
|--------------|-----------------------------------|-------------------------|------------------------------|
| 913700648666 | HF-P 1/218 PL-T/C III 220-240V | 31.2/16 W | 18 W |

| Order Code | Full Product Name | Lamp Power On PL-T/C | Rated Ballast- Lamp Power |
|--------------|-----------------------------------|-------------------------|------------------------------|
| 913700648866 | HF-P 1/226 PL-T/C III 220-240V | 45/23.63 W | 26 W |

