

Product Description

EB-Certalume for TL5 lamps

Affordable, reliable, high frequency electronic ballast for TL5 fluorescent lamps, ideal alternative for electromagnetic (EM) ballasts

Benefits

- Energy efficient, CELMA A3, saving 25% energy compared to electromagnetic “C-type” ballasts
- Energy efficient, CELMA A3, saving 25% energy compared to electromagnetic “C-type” ballasts
- The EB-C TL5 range has a robust design and meets safety, EMC and Immunity tests including safety approbation via an external test-house covering IEC/EN 61347.
- The EB-C TL5 range has a robust design and meets safety, EMC and Immunity tests including safety approbation via an external test-house covering IEC/EN 61347.
- Ideal alternative for electromagnetic ballast, no ignitor needed
- Ideal alternative for electromagnetic ballast, no ignitor needed

Features

- Energy efficient CELMA A3
- Energy efficient CELMA A3
- Complying to CCC certificate including safety acc IEC 61347
- Complying to CCC certificate including safety acc IEC 61347
- 25.000 hour lifetime at Tc max. and 3.000 on/off switches on one lamp.
- 25.000 hour lifetime at Tc max. and 3.000 on/off switches on one lamp.
- Rapid, flicker-free or warm lamp start (<lt/> 2.0 s)
- Rapid, flicker-free or warm lamp start (<lt/> 2.0 s)
- High power factor 0.95 with THD <lt/>25%
- High power factor 0.95 with THD <lt/>25%
- EMC compliant to EN 55015 2006 + A1 2007
- EMC compliant to EN 55015 2006 + A1 2007
- 45 degree connector for easy connection with push button release.
- 45 degree connector for easy connection with push button release.

EB-Certalume for TL5 lamps

Application

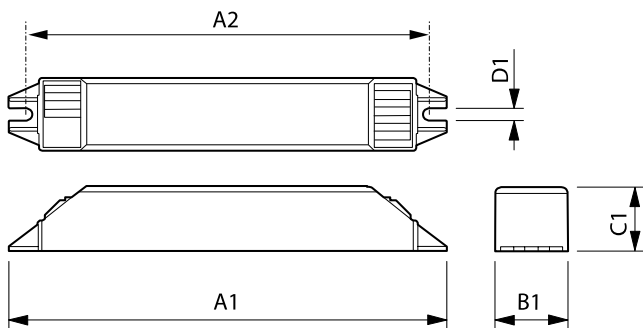
- Designed for applications where lamps burn for a long period of time and switching cycle (on/off) is infrequent. Typical areas of application include:
- Designed for applications where lamps burn for a long period of time and switching cycle (on/off) is infrequent. Typical areas of application include:
- Professional indoor applications (e.g. offices and hotels)
- Professional indoor applications (e.g. offices and hotels)
- Department stores, shops, supermarkets and public area's
- Department stores, shops, supermarkets and public area's
- Indoor lighting boxes
- Indoor lighting boxes
- Homes
- Homes

Versions



EB-Ci 1-2 Lamp 14-28W TL5 220-240V

Dimensional drawing



Product	A1	A2	B1	C1	D1
EB-Ci 1-2 14-28W 220-240V 50/60 Hz	210 mm	200 mm	30 mm	26 mm	4.3 mm

EB-Certalume for TL5 lamps

