



Product Description

MASTERColour CDM-T Elite

Single-ended, high-efficiency Ceramic Metal Halide discharge lamp

Benefits

- Outstanding rendering of displayed merchandise due to high colour rendering (Ra 90) in combination with high lumen output; best offer in the market for 'enhancing merchandize'
- Excellent colour quality, which remains stable over lifetime
- Light output over lifetime maintains display brightness
- High efficacy and long lifetime for lowest operating costs and low heat generation
- Relatively low heat generation enhances comfort for shoppers and staff
- UV Block for reduced fading risk of merchandise

Features

- Crisp white light
- Excellent colour rendering (Ra 90)
- Reliable lifetime performance
- Stable colour performance during lifetime
- Increased light output compared with regular MASTERColour lamps
- Improved maintenance compared with regular MASTERColour lamps
- Burning position for
 - CDM Elite-T 35W: vertical +/- 60 degrees
 - CDM Elite-T 70W: universal

Application

- Accent and display lighting with a sparkling effect, excellent solution for Retail
- Decorative outdoor floodlighting

MASTERColour CDM-T Elite

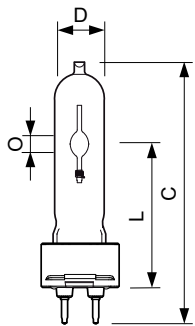
Warnings and Safety

- Use only in totally enclosed luminaire, even during testing (IEC61167, IEC 62035, IEC60598)
- The luminaire must be able to contain hot lamp parts if the lamp ruptures
- Use only with electronic control gear. 35W & 70W lamps may also use electromagnetic gear.
- Control gear must include end-of-life protection (IEC61167, IEC 62035)
- A lamp breaking is extremely unlikely to have any impact on your health. If a lamp breaks, ventilate the room for 30 minutes and remove the parts, preferably with gloves. Put them in a sealed plastic bag and take it to your local waste facilities for recycling. Do not use a vacuum cleaner.

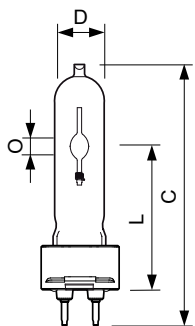
Versions



Dimensional drawing



Product	D (max)	O	L (min)	L (max)	L	C (max)
MASTERColour CDM-T Elite 35W/942 G12 1CT	20 mm	5.2 mm	55 mm	57 mm	56 mm	103 mm



Product	D (max)	D O	L (min)	L (max)	L	C (max)
MASTERColour CDM-T Elite 20W/830 G12 1CT/12	20 mm	4 mm	55 mm	57 mm	56 mm	103 mm

MASTERCcolour CDM-T Elite

Controls and dimming

Dimmable	No
----------	----

Operating and electrical

Re-ignition Time (Min) (Max)	15 min
------------------------------	--------

General information

Cap-Base	G12
Operating Position	UNIVERSAL

Mechanical and housing

Bulb Finish	Clear
Bulb Shape	T19

Approval and application

Order Code	Full Product Name	Energy Consumption kWh/1000 h	Mercury (Hg) Content (Max)	Mercury (Hg) Content (Nom)
928183305125	MASTERCcolour CDM-T Elite 20W/830 G12 1CT/12	21 kWh	3.5 mg	3.5 mg

Order Code	Full Product Name	Energy Consumption kWh/1000 h	Mercury (Hg) Content (Max)	Mercury (Hg) Content (Nom)
928193605129	MASTERCcolour CDM-T Elite 35W/942 G12 1CT	43 kWh	-	4.9 mg

Operating and electrical

Order Code	Full Product Name	Lamp Current (EM) (Nom)	Voltage (Max)	Voltage (Min)	Voltage (Nom)	Power (Rated) (Min)	Power (Nom)
928183305125	MASTERCcolour CDM-T Elite 20W/830 G12 1CT/12	-	100 V	90 V	95 V	20.0 W	20.1 W
928193605129	MASTERCcolour CDM-T Elite 35W/942 G12 1CT	0.51 A	96 V	84 V	90 V	-	39.1 W

General information

Order Code	Full Product Name	Life To 10% Failures (Nom)	Life To 20% Failures (Nom)	Life To 50% Failures (Nom)	Life To 5% Failures (Nom)
928183305125	MASTERCcolour CDM-T Elite 20W/830 G12 1CT/12	14000 h	16000 h	20000 h	12000 h

Order Code	Full Product Name	Life To 10% Failures (Nom)	Life To 20% Failures (Nom)	Life To 50% Failures (Nom)	Life To 5% Failures (Nom)
928193605129	MASTERCcolour CDM-T Elite 35W/942 G12 1CT	10000 h	12000 h	15000 h	9000 h

Luminaire design requirements

Order Code	Full Product Name	Bulb Temperature (Max)
928183305125	MASTERCcolour CDM-T Elite 20W/830 G12 1CT/12	250 °C

Order Code	Full Product Name	Bulb Temperature (Max)
928193605129	MASTERCcolour CDM-T Elite 35W/942 G12 1CT	500 °C

Light technical (1/3)

MASTERCLOUR CDM-T Elite

Order Code	Full Product Name	Chromaticity	Chromaticity	Colour		Correlated Colour	Colour	Colour
		Coordinate X (Nom)	Coordinate Y (Nom)	Code	Colour Designation	Temperature (Nom)	Rendering Index (Min)	Rendering Index (Nom)
928183305125	MASTERCLOUR CDM-T Elite 20W/830 G12 1CT/12	0.434	0.398	830	Warm white (WW)	3000 K	-	84
928193605129	MASTERCLOUR CDM-T Elite 35W/942 G12 1CT	0.366	0.364	942	Cool White (CW)	4200 K	87	90

Light technical (2/3)

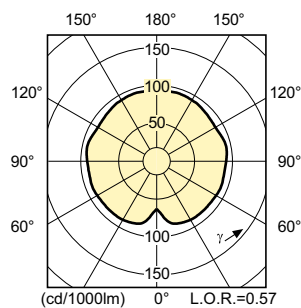
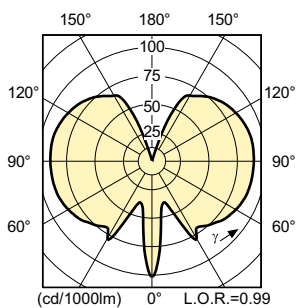
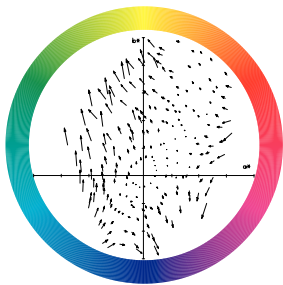
Order Code	Full Product Name	Lumen	Lumen	Lumen	Lumen	Lumen	Lumen	Luminous	Luminous	
		Maintenance 1000 h (Nom)	Maintenance 10000 h (Nom)	Maintenance 12000 h (Nom)	Maintenance 2000 h (Nom)	Maintenance 4000 h (Nom)	Maintenance 5000 h (Nom)	Efficacy (rated) (Nom)	Flux (Nom) (Min)	Flux (Rated) (Min)
928183305125	MASTERCLOUR CDM-T Elite 20W/830 G12 1CT/12	-	78 %	77 %	87 %	-	83 %	90 lm/W	1800 lm	1620 lm
928193605129	MASTERCLOUR CDM-T Elite 35W/942 G12 1CT	89 %	73 %	71 %	84 %	80 %	79 %	98 lm/W	-	-

Light technical (3/3)

Order Code	Full Product Name	Luminous Flux (Rated) (Nom)
928183305125	MASTERCLOUR CDM-T Elite 20W/830 G12 1CT/12	1800 lm

Order Code	Full Product Name	Luminous Flux (Rated) (Nom)
928193605129	MASTERCLOUR CDM-T Elite 35W/942 G12 1CT	3850 lm

Colour Rendering Diagrams



MASTERColour CDM-T Elite

